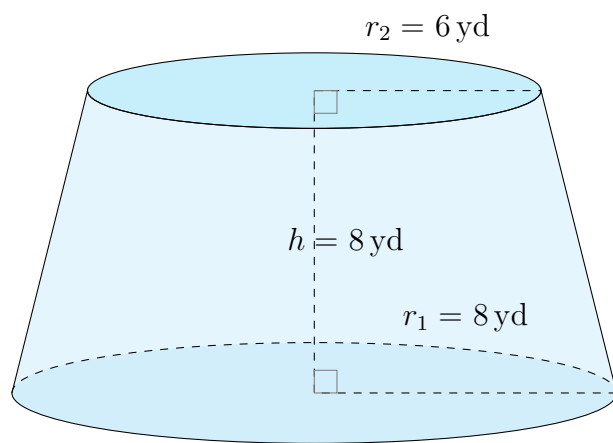


Surface Area and Volume of Conical Frustums (H)

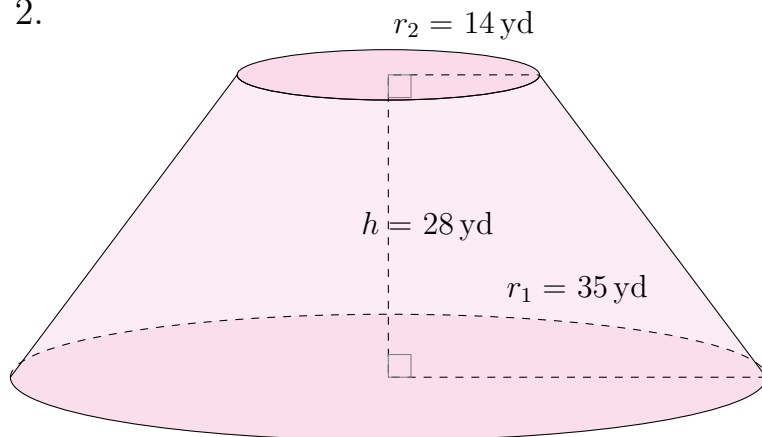
Calculate the surface area and volume for each conical frustum.

$$\text{Surface Area} = \pi(r_1 + r_2)\sqrt{(r_1 - r_2)^2 + h^2} + \pi r_1^2 + \pi r_2^2 \quad \text{Volume} = \frac{\pi}{3}h(r_1^2 + r_2^2 + r_1 r_2)$$

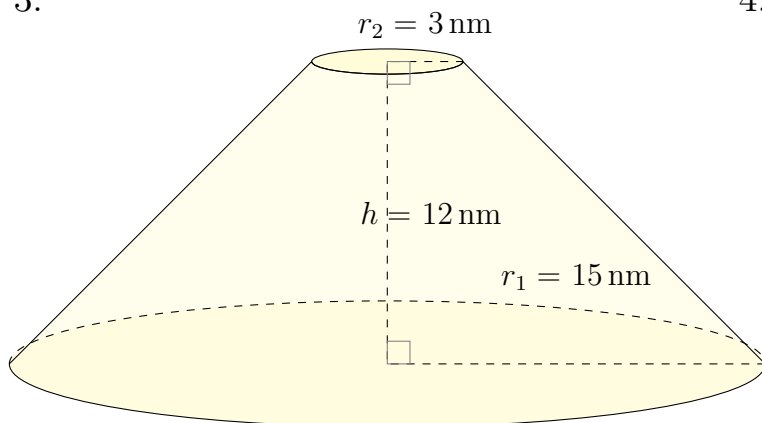
1.



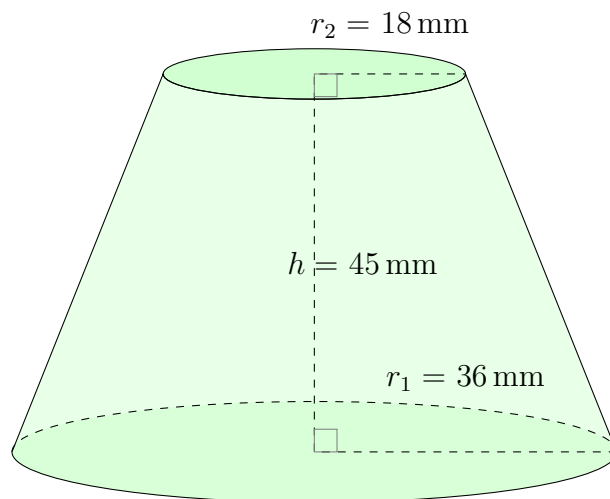
2.



3.



4.

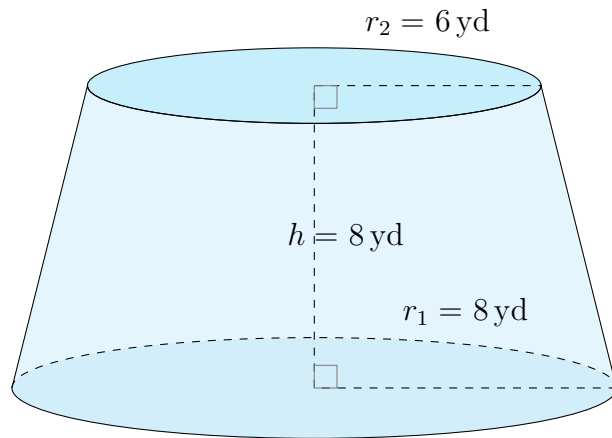


Surface Area and Volume of Conical Frustums (H) Answers

Calculate the surface area and volume for each conical frustum.

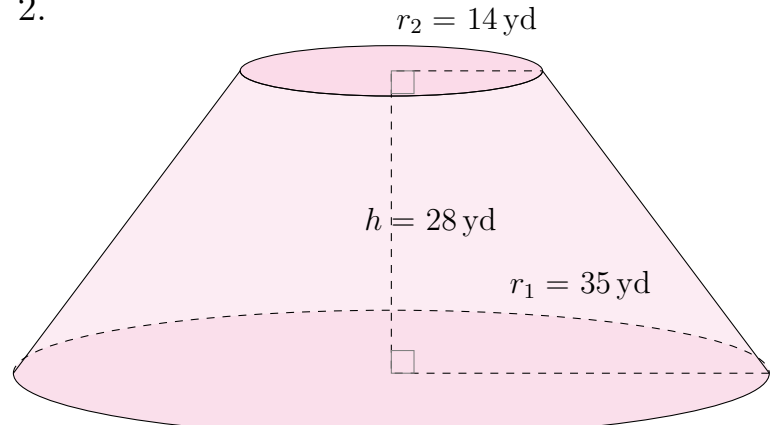
$$\text{Surface Area} = \pi(r_1 + r_2)\sqrt{(r_1 - r_2)^2 + h^2} + \pi r_1^2 + \pi r_2^2 \quad \text{Volume} = \frac{\pi}{3}h(r_1^2 + r_2^2 + r_1 r_2)$$

1.



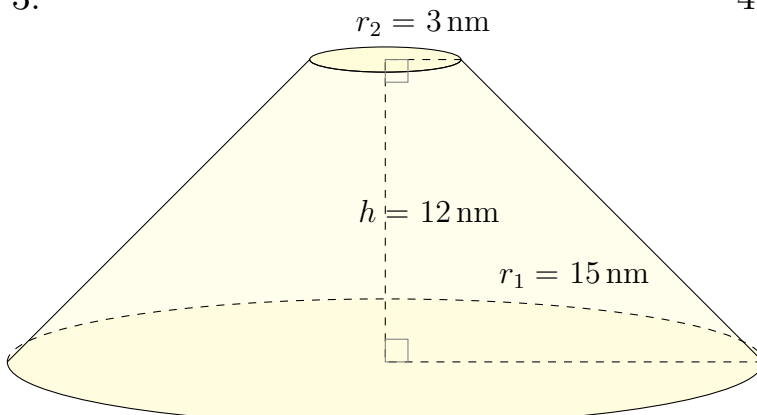
Surface Area: 677 yd^2
Volume: 1240 yd^3

2.



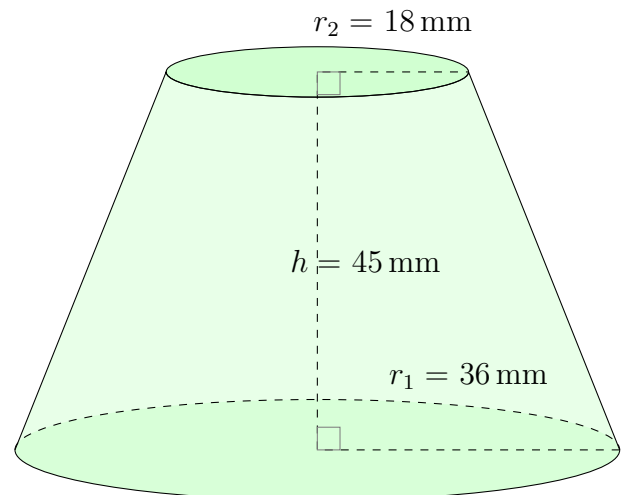
Surface Area: 9852 yd^2
Volume: $56,033 \text{ yd}^3$

3.



Surface Area: 1695 nm^2
Volume: 3506 nm^3

4.



Surface Area: $13,312 \text{ mm}^2$
Volume: $106,877 \text{ mm}^3$