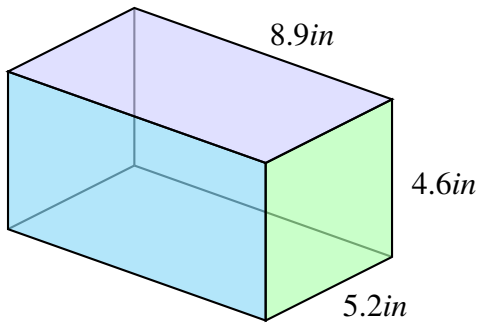


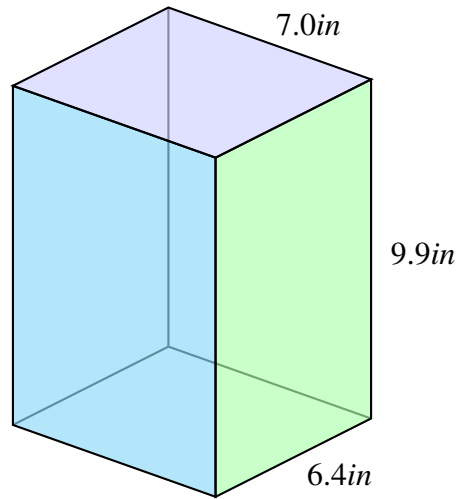
Volume and surface area of prisms (G)

Find the volume and surface area of each prism.



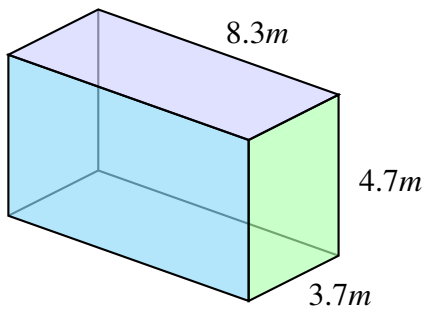
V: _____

SA: _____



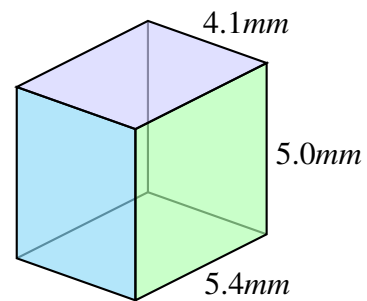
V: _____

SA: _____



V: _____

SA: _____

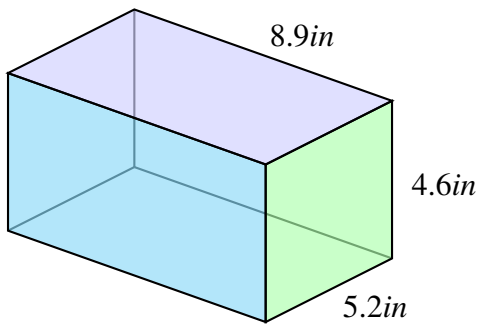


V: _____

SA: _____

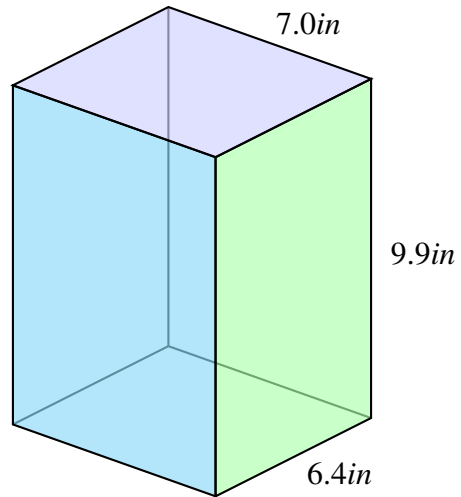
Volume and surface area of prisms (G) Answers

Find the volume and surface area of each prism.



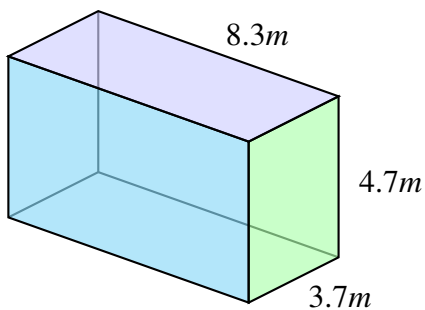
$$V: 5.2in \times 8.9 \times 4.6in = 212.888in^3$$

$$SA: 2 \times (46.28 + 40.94 + 23.92)in = 222.28in^2$$



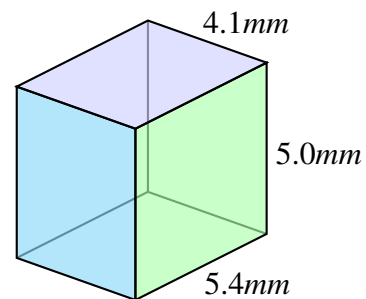
$$V: 6.4in \times 7.0 \times 9.9in = 443.52in^3$$

$$SA: 2 \times (44.8 + 69.3 + 63.36)in = 354.92in^2$$



$$V: 3.7m \times 8.3 \times 4.7m = 144.337m^3$$

$$SA: 2 \times (30.71 + 39.01 + 17.39)m = 174.22m^2$$



$$V: 5.4mm \times 4.1 \times 5.0mm = 110.7mm^3$$

$$SA: 2 \times (22.14 + 20.5 + 27.0)mm = 139.28mm^2$$