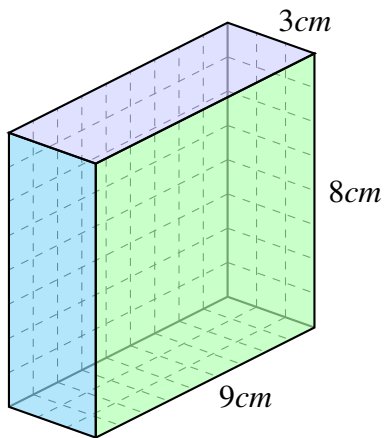


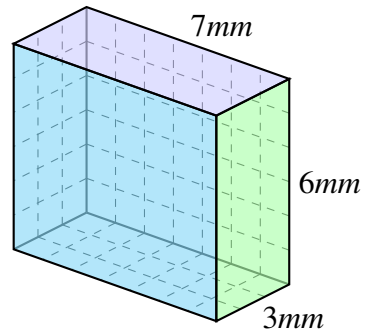
Volume and surface area of prisms (C)

Find the volume and surface area of each prism.



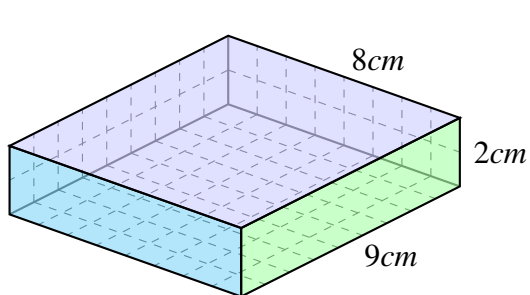
V: _____

SA: _____



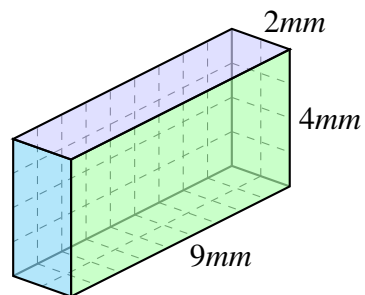
V: _____

SA: _____



V: _____

SA: _____

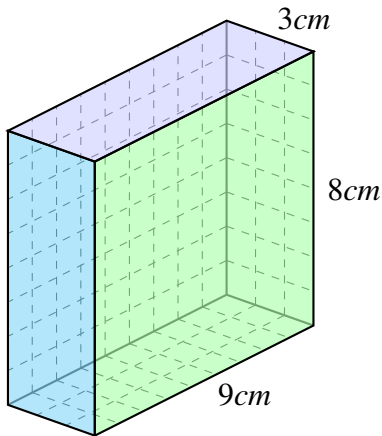


V: _____

SA: _____

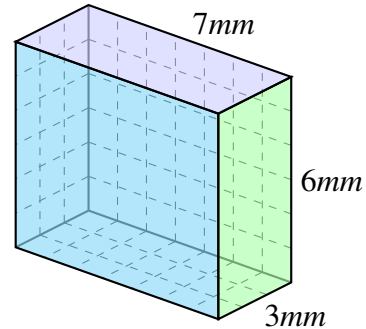
Volume and surface area of prisms (C) Answers

Find the volume and surface area of each prism.



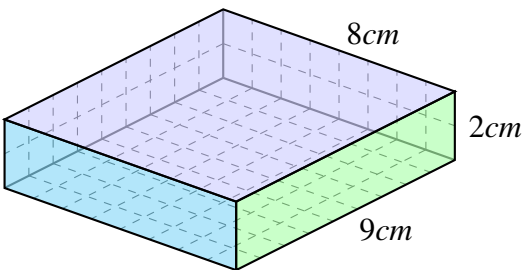
$$V: 9\text{cm} \times 3 \times 8\text{cm} = 216\text{cm}^3$$

$$SA: 2 \times (27 + 24 + 72)\text{cm} = 246\text{cm}^2$$



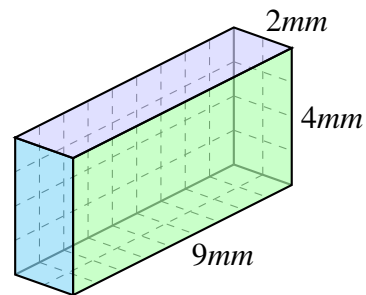
$$V: 3\text{mm} \times 7 \times 6\text{mm} = 126\text{mm}^3$$

$$SA: 2 \times (21 + 42 + 18)\text{mm} = 162\text{mm}^2$$



$$V: 9\text{cm} \times 8 \times 2\text{cm} = 144\text{cm}^3$$

$$SA: 2 \times (72 + 16 + 18)\text{cm} = 212\text{cm}^2$$



$$V: 9\text{mm} \times 2 \times 4\text{mm} = 72\text{mm}^3$$

$$SA: 2 \times (18 + 8 + 36)\text{mm} = 124\text{mm}^2$$