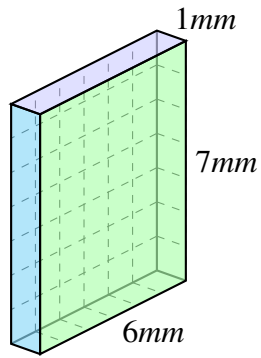


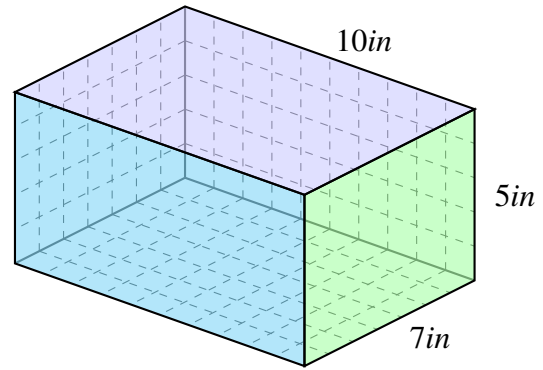
Volume and surface area of prisms (D)

Find the volume and surface area of each prism.



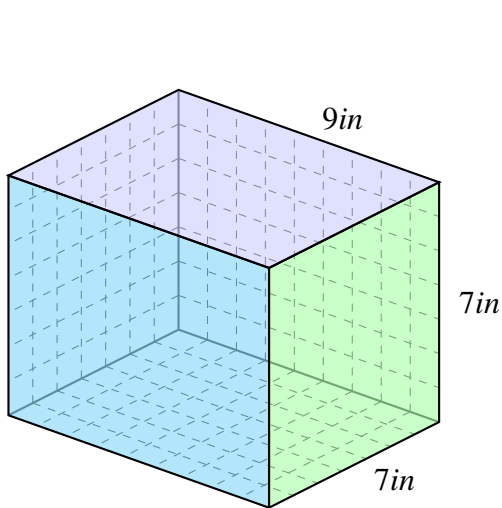
V: _____

SA: _____



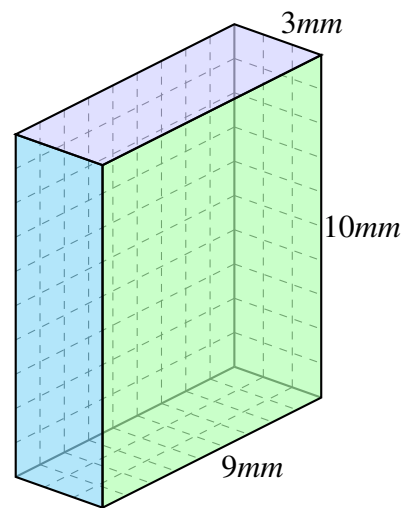
V: _____

SA: _____



V: _____

SA: _____

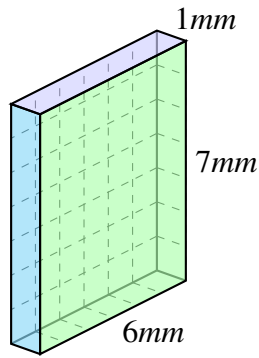


V: _____

SA: _____

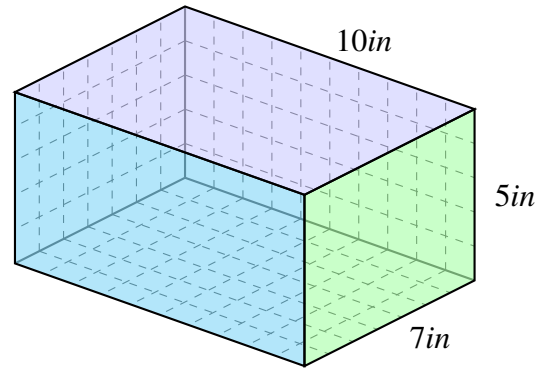
Volume and surface area of prisms (D) Answers

Find the volume and surface area of each prism.



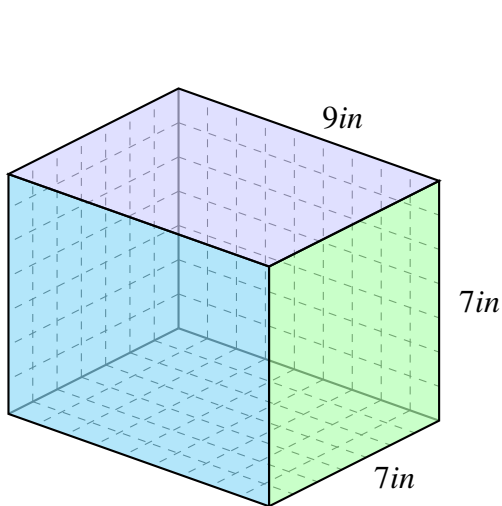
$$V: 6mm \times 1 \times 7mm = 42mm^3$$

$$SA: 2 \times (6 + 7 + 42)mm = 110mm^2$$



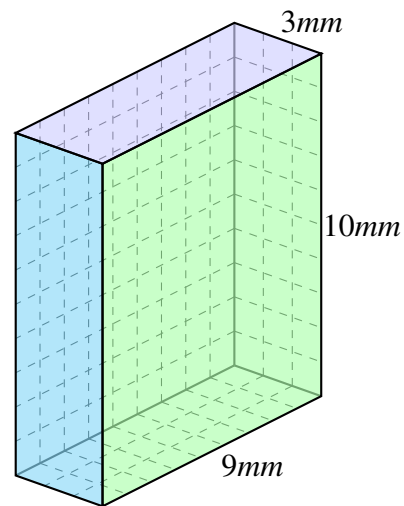
$$V: 7in \times 10 \times 5in = 350in^3$$

$$SA: 2 \times (70 + 50 + 35)in = 310in^2$$



$$V: 7in \times 9 \times 7in = 441in^3$$

$$SA: 2 \times (63 + 63 + 49)in = 350in^2$$



$$V: 9mm \times 3 \times 10mm = 270mm^3$$

$$SA: 2 \times (27 + 30 + 90)mm = 294mm^2$$