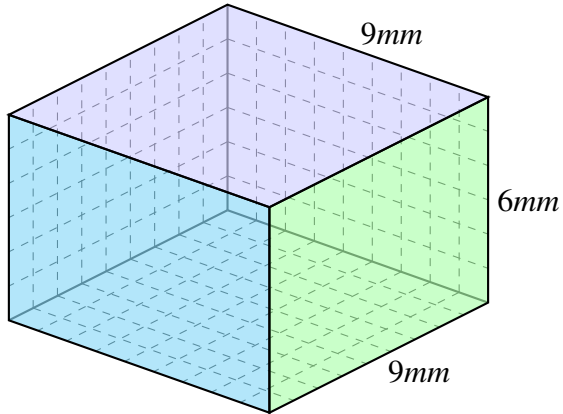


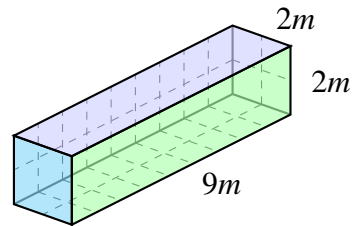
Volume and surface area of prisms (E)

Find the volume and surface area of each prism.



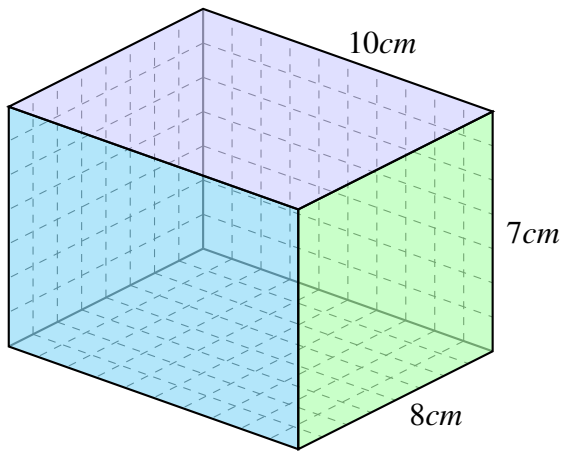
V: _____

SA: _____



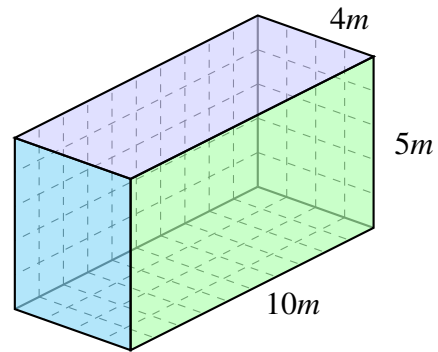
V: _____

SA: _____



V: _____

SA: _____

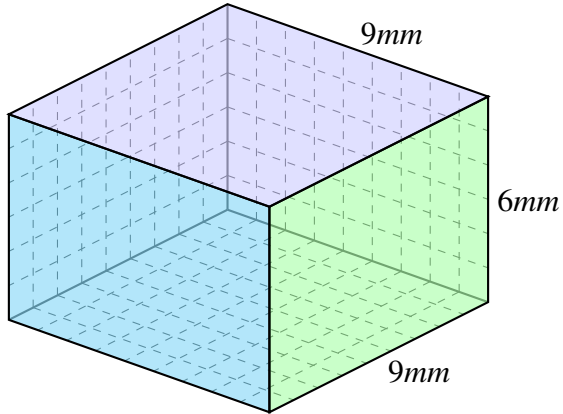


V: _____

SA: _____

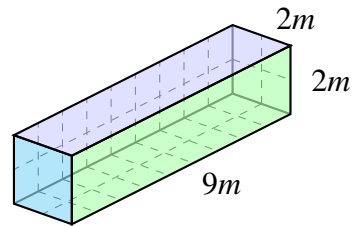
Volume and surface area of prisms (E) Answers

Find the volume and surface area of each prism.



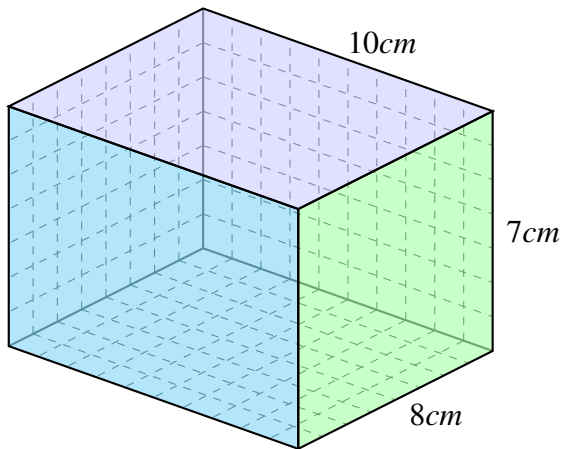
$$V: 9mm \times 9 \times 6mm = 486mm^3$$

$$SA: 2 \times (81 + 54 + 54)mm = 378mm^2$$



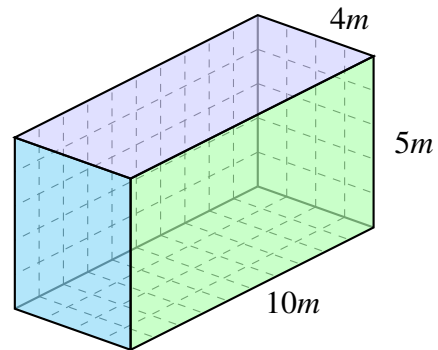
$$V: 9m \times 2 \times 2m = 36m^3$$

$$SA: 2 \times (18 + 4 + 18)m = 80m^2$$



$$V: 8cm \times 10 \times 7cm = 560cm^3$$

$$SA: 2 \times (80 + 70 + 56)cm = 412cm^2$$



$$V: 10m \times 4 \times 5m = 200m^3$$

$$SA: 2 \times (40 + 20 + 50)m = 220m^2$$