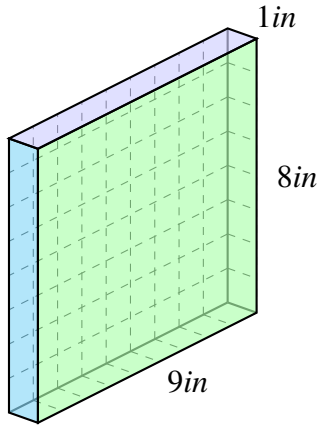


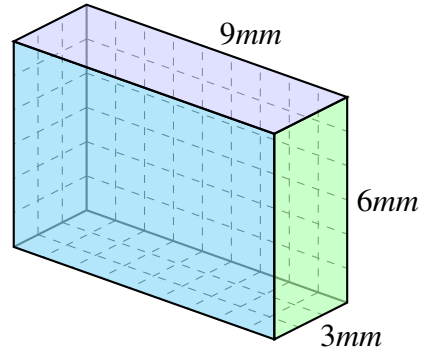
Volume and surface area of prisms (F)

Find the volume and surface area of each prism.



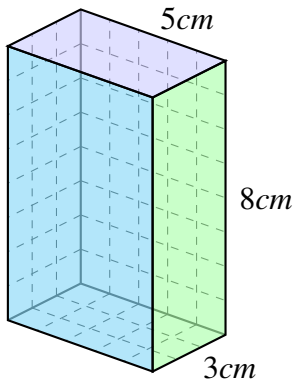
V: _____

SA: _____



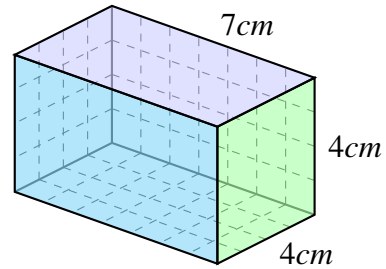
V: _____

SA: _____



V: _____

SA: _____

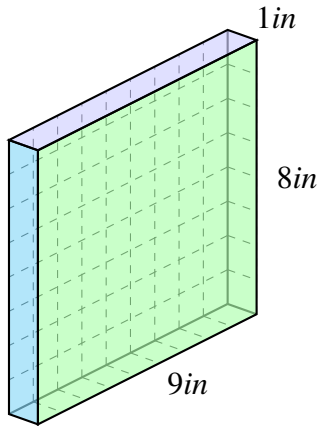


V: _____

SA: _____

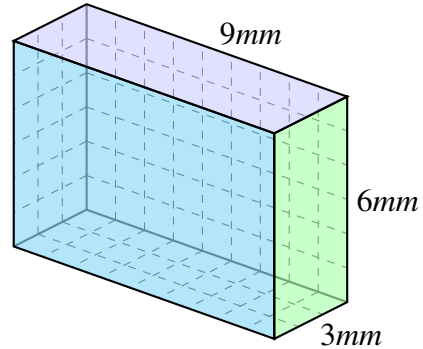
Volume and surface area of prisms (F) Answers

Find the volume and surface area of each prism.



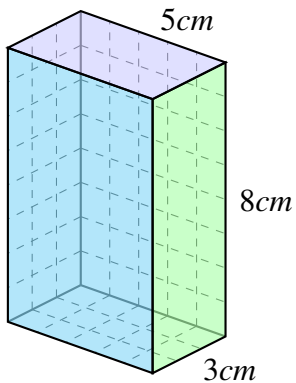
$$V: 9in \times 1 \times 8in = 72in^3$$

$$SA: 2 \times (9 + 8 + 72)in = 178in^2$$



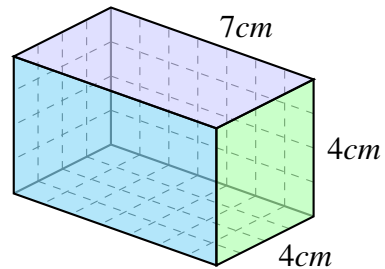
$$V: 3mm \times 9 \times 6mm = 162mm^3$$

$$SA: 2 \times (27 + 54 + 18)mm = 198mm^2$$



$$V: 3cm \times 5 \times 8cm = 120cm^3$$

$$SA: 2 \times (15 + 40 + 24)cm = 158cm^2$$



$$V: 4cm \times 7 \times 4cm = 112cm^3$$

$$SA: 2 \times (28 + 28 + 16)cm = 144cm^2$$