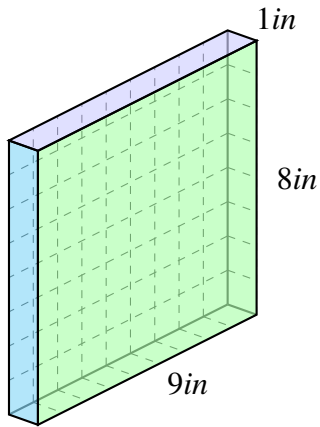


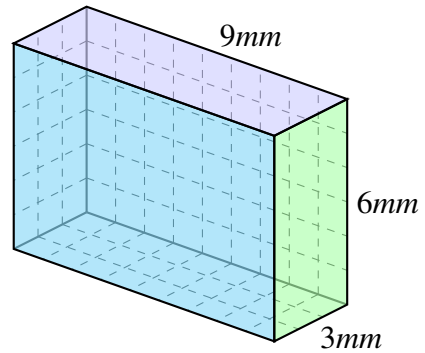
Volume and surface area of prisms (F)

Find the volume and surface area of each prism.



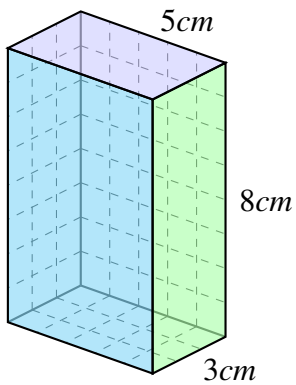
V: _____

SA: _____



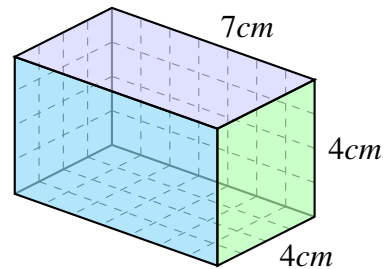
V: _____

SA: _____



V: _____

SA: _____



V: _____

SA: _____