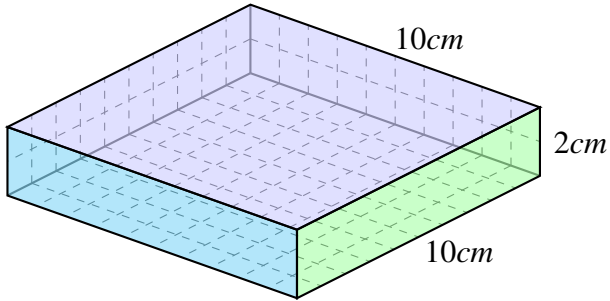


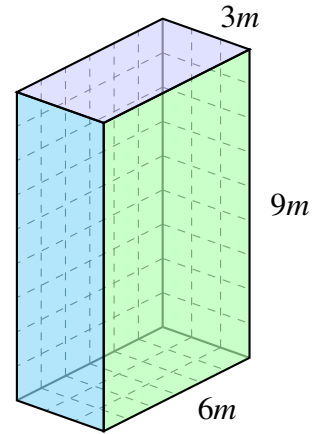
Volume and surface area of prisms (J)

Find the volume and surface area of each prism.



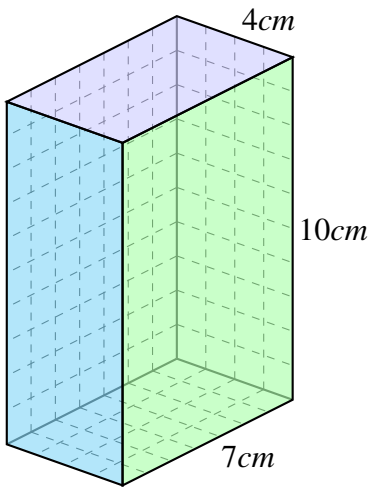
V: _____

SA: _____



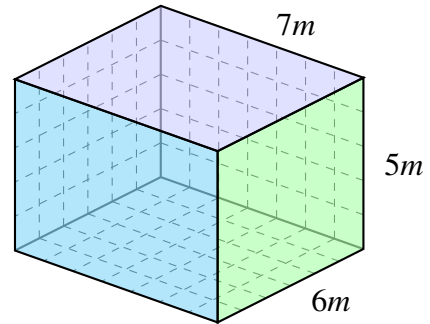
V: _____

SA: _____



V: _____

SA: _____

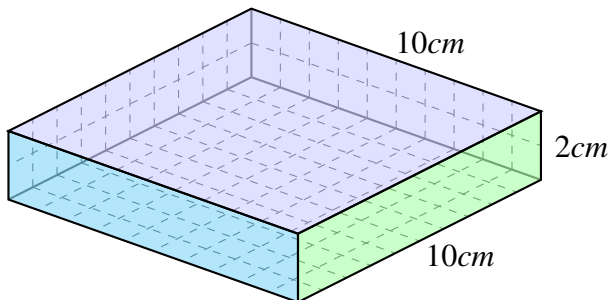


V: _____

SA: _____

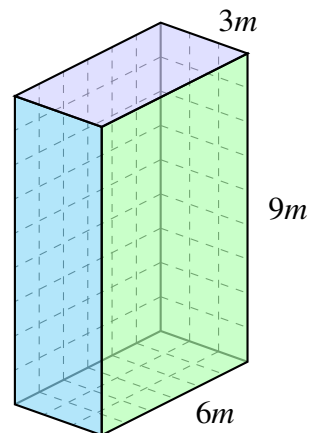
Volume and surface area of prisms (J) Answers

Find the volume and surface area of each prism.



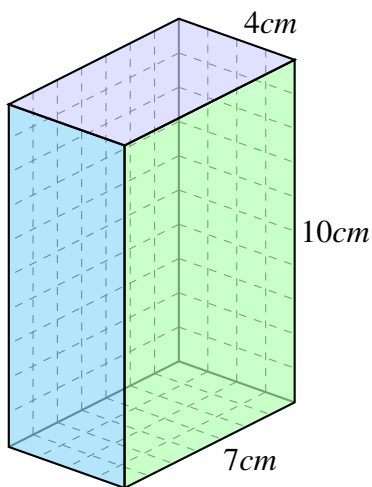
$$V: 10\text{cm} \times 10 \times 2\text{cm} = 200\text{cm}^3$$

$$SA: 2 \times (100 + 20 + 20)\text{cm} = 280\text{cm}^2$$



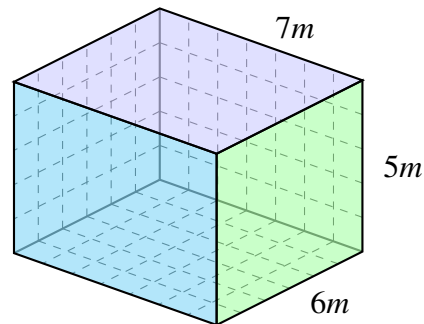
$$V: 6\text{m} \times 3 \times 9\text{m} = 162\text{m}^3$$

$$SA: 2 \times (18 + 27 + 54)\text{m} = 198\text{m}^2$$



$$V: 7\text{cm} \times 4 \times 10\text{cm} = 280\text{cm}^3$$

$$SA: 2 \times (28 + 40 + 70)\text{cm} = 276\text{cm}^2$$



$$V: 6\text{m} \times 7 \times 5\text{m} = 210\text{m}^3$$

$$SA: 2 \times (42 + 35 + 30)\text{m} = 214\text{m}^2$$