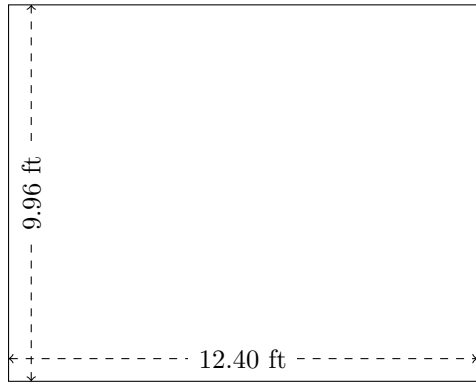


Perimeter and Area of Rectangles (F)

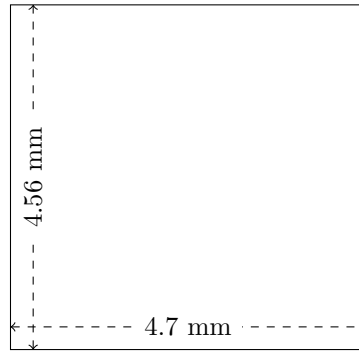
Calculate the perimeter and area for each rectangle.

1.



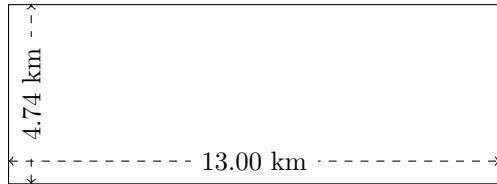
$$P = ?$$
$$A = ?$$

2.



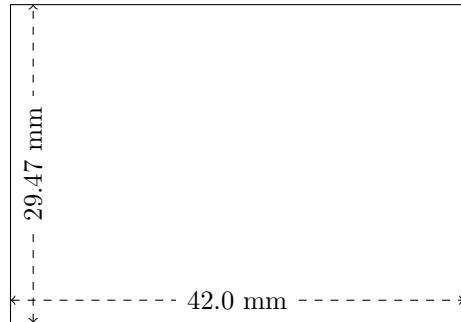
$$P = ?$$
$$A = ?$$

3.



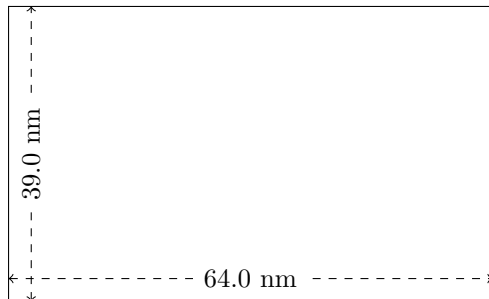
$$P = ?$$
$$A = ?$$

4.



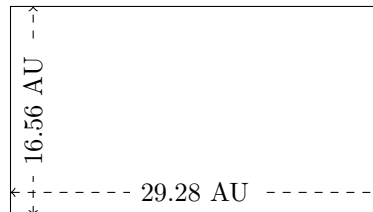
$$P = ?$$
$$A = ?$$

5.



$$P = ?$$
$$A = ?$$

6.

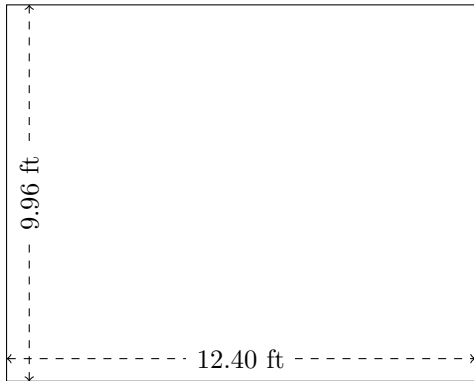


$$P = ?$$
$$A = ?$$

Perimeter and Area of Rectangles (F) Answers

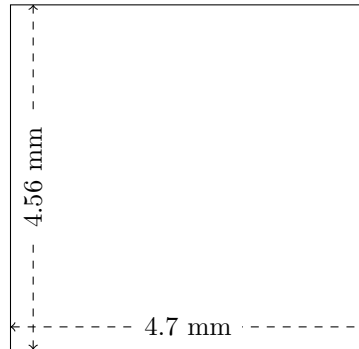
Calculate the perimeter and area for each rectangle.

1.



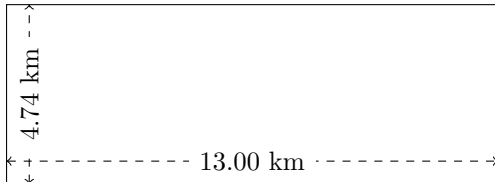
$$P = 44.72 \text{ ft}$$
$$A = 123.504 \text{ ft}^2$$

2.



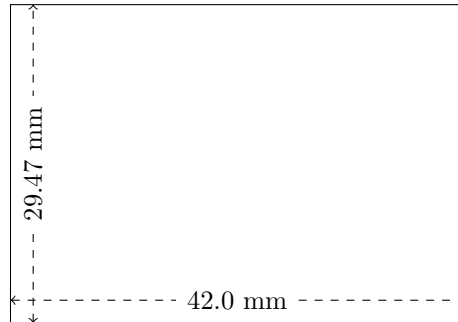
$$P = 18.52 \text{ mm}$$
$$A = 21.432 \text{ mm}^2$$

3.



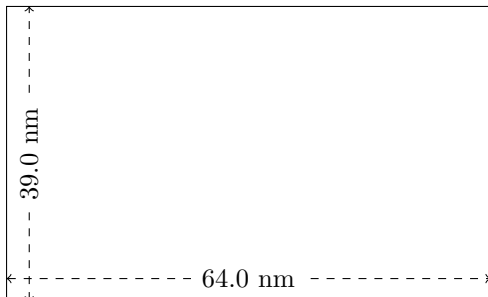
$$P = 35.48 \text{ km}$$
$$A = 61.62 \text{ km}^2$$

4.



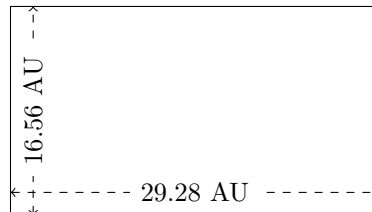
$$P = 142.94 \text{ mm}$$
$$A = 1237.74 \text{ mm}^2$$

5.



$$P = 206 \text{ nm}$$
$$A = 2496 \text{ nm}^2$$

6.



$$P = 91.68 \text{ AU}$$
$$A = 484.8768 \text{ AU}^2$$