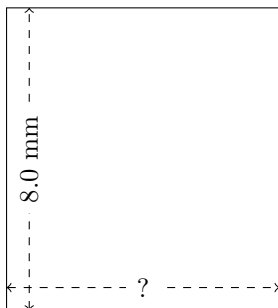


# Rectangle Measurements (F)

Calculate the missing measurements for each rectangle.

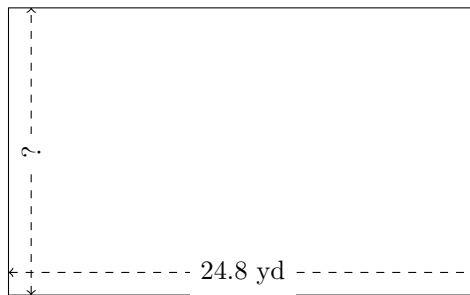
1.



$$P = ?$$

$$A = 57.76 \text{ mm}^2$$

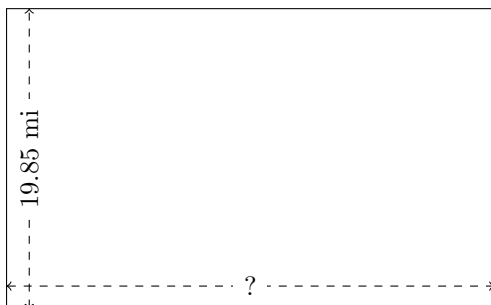
2.



$$P = ?$$

$$A = 376.96 \text{ yd}^2$$

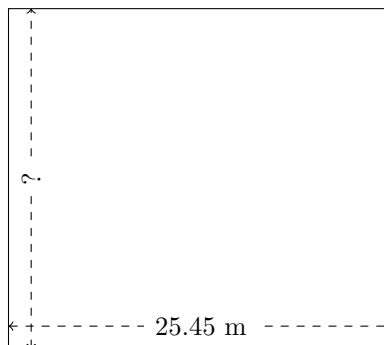
3.



$$P = ?$$

$$A = 640.1625 \text{ mi}^2$$

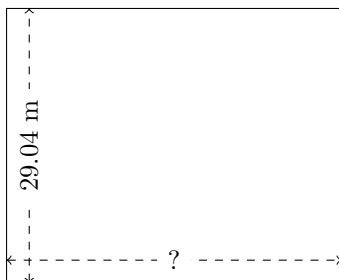
4.



$$P = ?$$

$$A = 572.625 \text{ m}^2$$

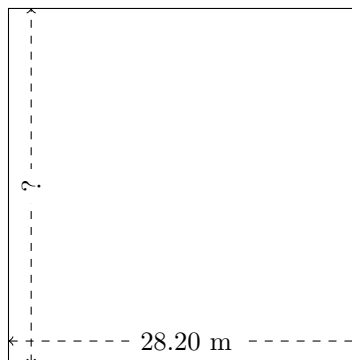
5.



$$P = ?$$

$$A = 1029.1776 \text{ m}^2$$

6.



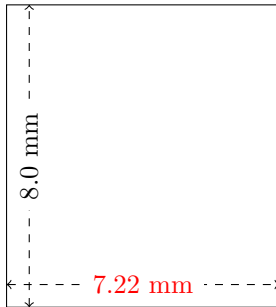
$$P = ?$$

$$A = 795.24 \text{ m}^2$$

# Rectangle Measurements (F) Answers

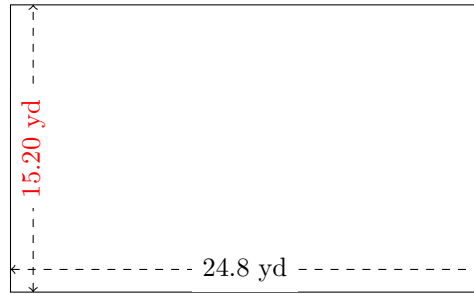
Calculate the missing measurements for each rectangle.

1.



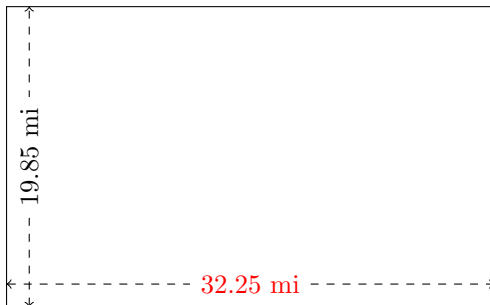
$$P = 30.44 \text{ mm}$$
$$A = 57.76 \text{ mm}^2$$

2.



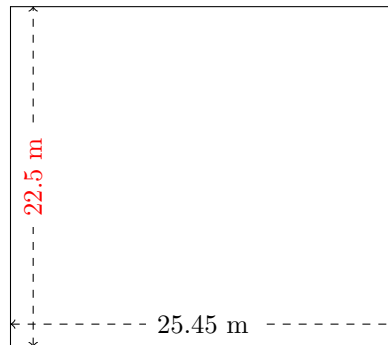
$$P = 80 \text{ yd}$$
$$A = 376.96 \text{ yd}^2$$

3.



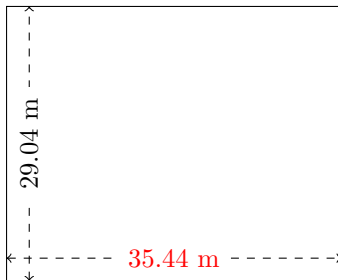
$$P = 104.2 \text{ mi}$$
$$A = 640.1625 \text{ mi}^2$$

4.



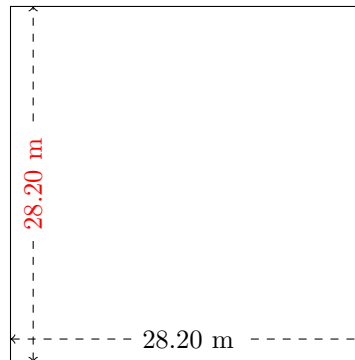
$$P = 95.9 \text{ m}$$
$$A = 572.625 \text{ m}^2$$

5.



$$P = 128.96 \text{ m}$$
$$A = 1029.1776 \text{ m}^2$$

6.



$$P = 112.8 \text{ m}$$
$$A = 795.24 \text{ m}^2$$