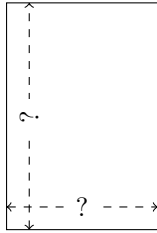


Rectangle Measurements (H)

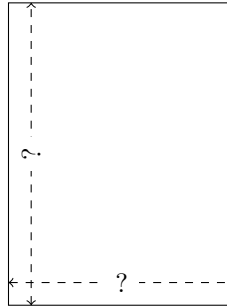
Calculate the missing measurements for each rectangle.

1.



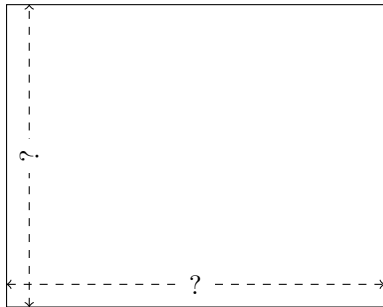
$$P = 90 \text{ yd}$$
$$A = 486 \text{ yd}^2$$

2.



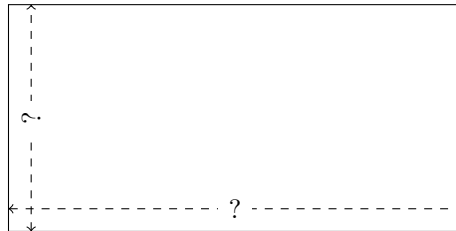
$$P = 126 \text{ km}$$
$$A = 972 \text{ km}^2$$

3.



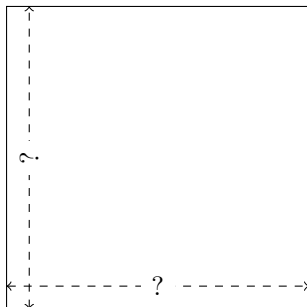
$$P = 252 \text{ ft}$$
$$A = 3920 \text{ ft}^2$$

4.



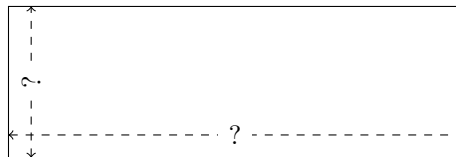
$$P = 288 \text{ mm}$$
$$A = 4608 \text{ mm}^2$$

5.



$$P = 400 \text{ nm}$$
$$A = 10,000 \text{ nm}^2$$

6.

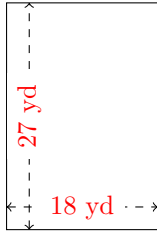


$$P = 320 \text{ mi}$$
$$A = 4800 \text{ mi}^2$$

Rectangle Measurements (H) Answers

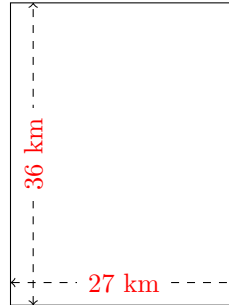
Calculate the missing measurements for each rectangle.

1.



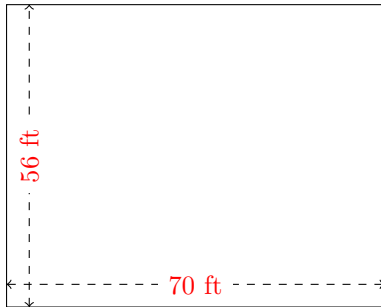
$$P = 90 \text{ yd}$$
$$A = 486 \text{ yd}^2$$

2.



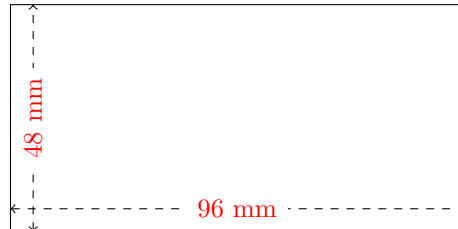
$$P = 126 \text{ km}$$
$$A = 972 \text{ km}^2$$

3.



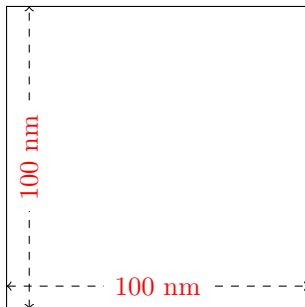
$$P = 252 \text{ ft}$$
$$A = 3920 \text{ ft}^2$$

4.



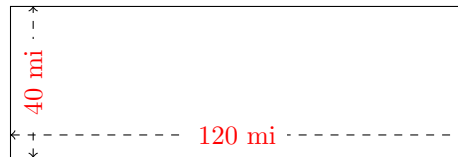
$$P = 288 \text{ mm}$$
$$A = 4608 \text{ mm}^2$$

5.



$$P = 400 \text{ nm}$$
$$A = 10,000 \text{ nm}^2$$

6.



$$P = 320 \text{ mi}$$
$$A = 4800 \text{ mi}^2$$