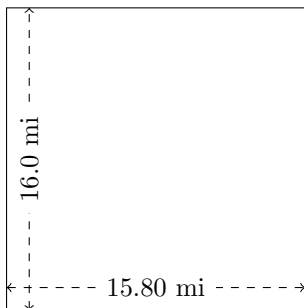


# Rectangle Measurements (E)

Calculate the missing measurements for each rectangle.

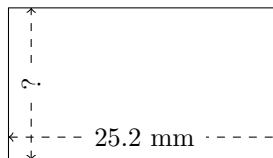
1.



$$P = ?$$

$$A = ?$$

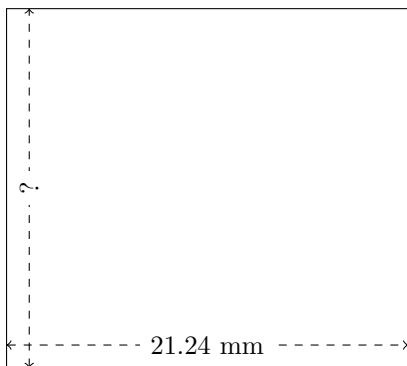
2.



$$P = 78.54 \text{ mm}$$

$$A = ?$$

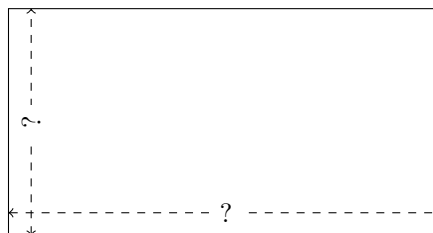
3.



$$P = ?$$

$$A = 403.56 \text{ mm}^2$$

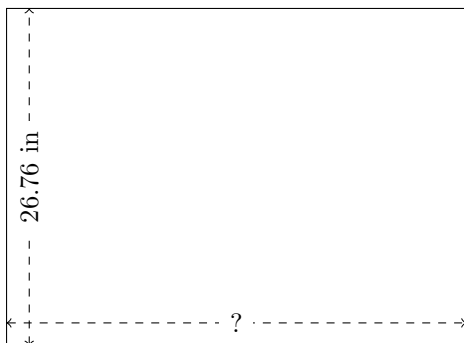
4.



$$P = 175.2 \text{ mm}$$

$$A = 1728 \text{ mm}^2$$

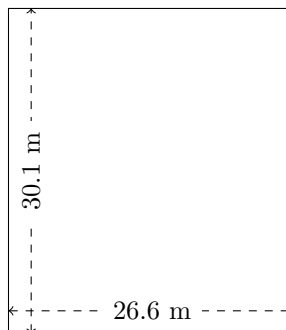
5.



$$P = 126.48 \text{ in}$$

$$A = ?$$

6.



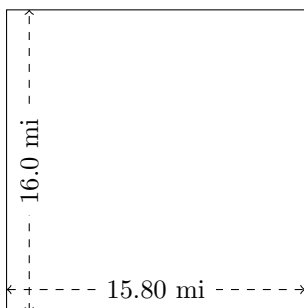
$$P = ?$$

$$A = ?$$

# Rectangle Measurements (E) Answers

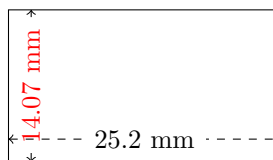
Calculate the missing measurements for each rectangle.

1.



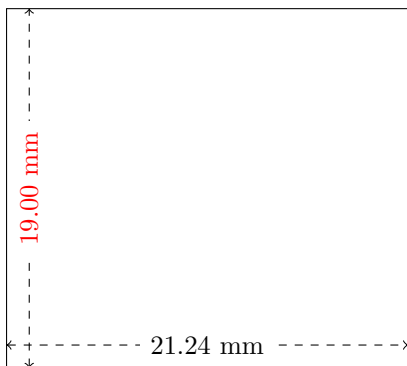
$$P = 63.6 \text{ mi}$$
$$A = 252.8 \text{ mi}^2$$

2.



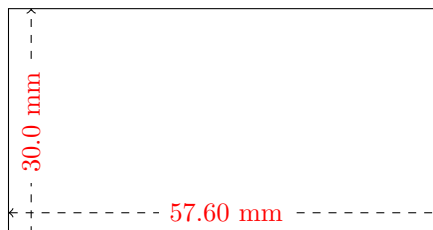
$$P = 78.54 \text{ mm}$$
$$A = 354.564 \text{ mm}^2$$

3.



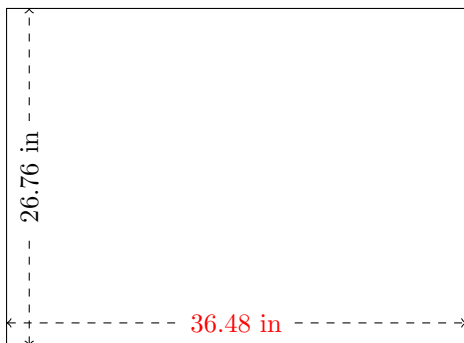
$$P = 80.48 \text{ mm}$$
$$A = 403.56 \text{ mm}^2$$

4.



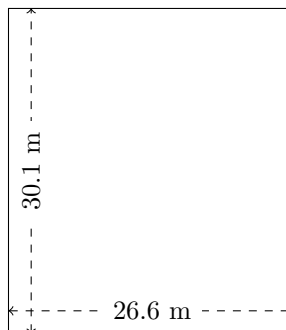
$$P = 175.2 \text{ mm}$$
$$A = 1728 \text{ mm}^2$$

5.



$$P = 126.48 \text{ in}$$
$$A = 976.2048 \text{ in}^2$$

6.



$$P = 113.4 \text{ m}$$
$$A = 800.66 \text{ m}^2$$