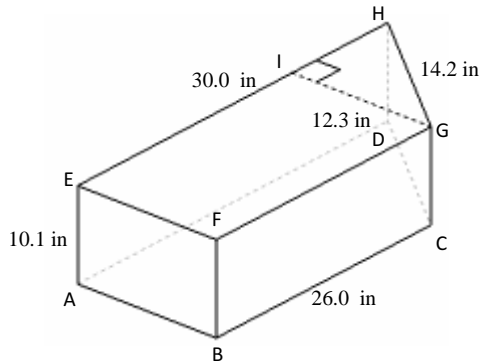


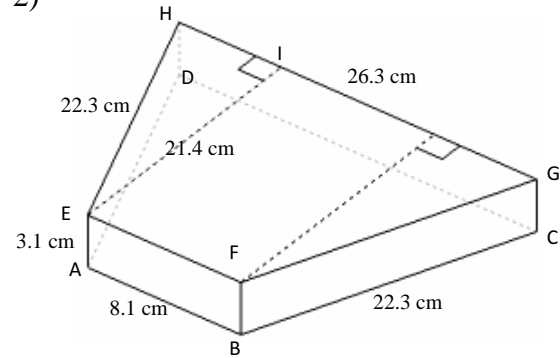
Volume and Surface Area of Trapezoid Prisms (C)

Instructions: Find the volume and surface area for each trapezoid prism.

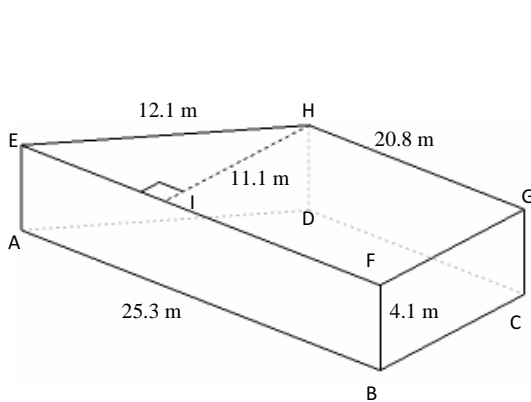
1)



2)



3)



4)

