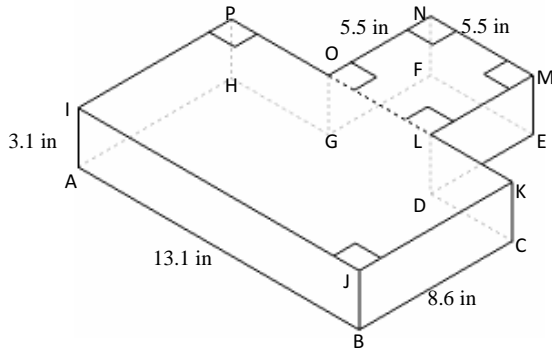


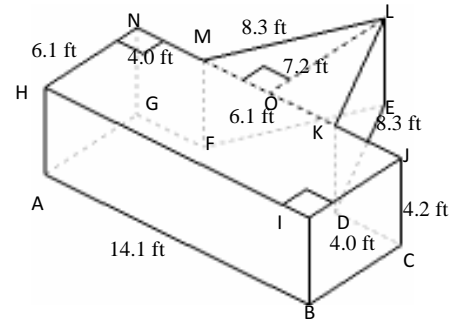
Volume and Surface Area of Composite Right Prisms (F)

Instructions: Find the volume and surface area for each composite right prism.

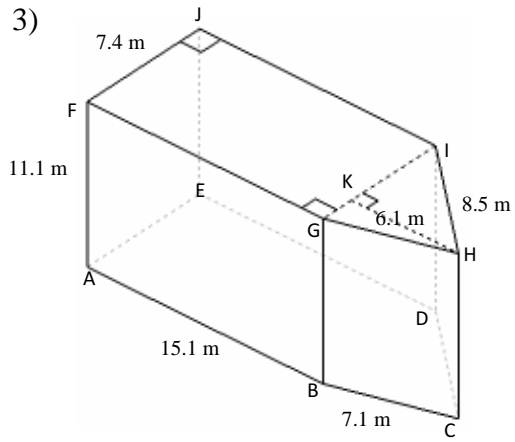
1)



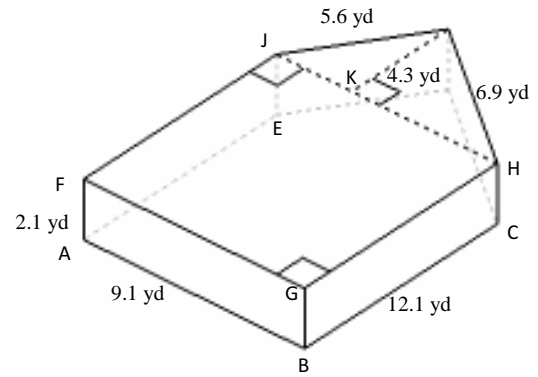
2)



3)



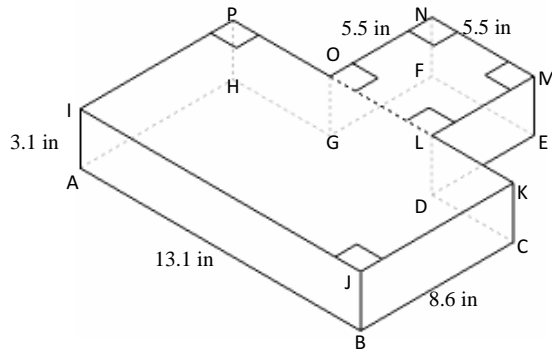
4)



Volume and Surface Area of Composite Right Prisms (F)

Instructions: Find the volume and surface area for each composite right prism.

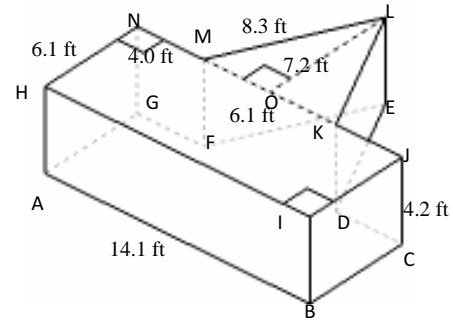
1)



$$\begin{aligned} V &= (\text{Area of } ABCH + \text{Area of } LMNO) \times AI \\ &= ((AB \times BC) + (MN)^2) \times AI \\ &= ((13.1 \times 8.6) + (5.5)^2) \times 3.1 \\ &= 443.0 \text{ in}^3 \end{aligned}$$

$$\begin{aligned} A &= (2 \times \text{Area of } ABCH + \text{Area of } LMNO) + \\ &\quad (\text{perimeter of } ABCDEFGH \times AI) \\ &= (2 \times ((AB \times BC) + (MN)^2) + ((2 \times AB) + (2 \times BC) + (2 \times MN)) \times AI) \\ &= (2 \times ((13.1 \times 8.6) + (5.5)^2) + ((2 \times 13.1) + (2 \times 8.6) + (2 \times 5.5)) \times 3.1) \\ &= 454.5 \text{ in}^2 \end{aligned}$$

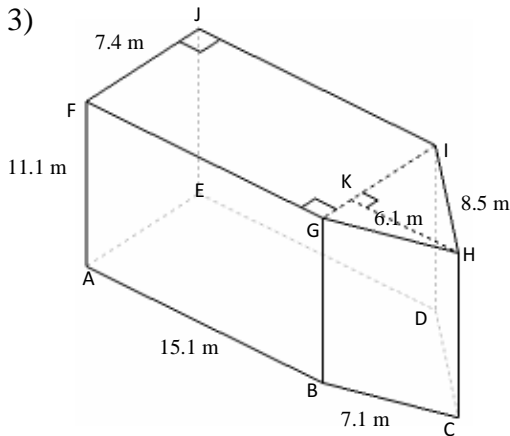
2)



$$\begin{aligned} V &= (\text{Area of } ABCG + \text{Area of } DEF) \times CJ \\ &= (AB \times BC) + (0.5 \times DF \times OL) \times CJ \\ &= (14.1 \times 6.1) + (0.5 \times 6.1 \times 7.2) \times 4.2 \\ &= 178.2 \text{ ft}^3 \end{aligned}$$

$$\begin{aligned} A &= (2 \times (\text{Area of } ABCG + \text{Area of } DEF)) + \\ &\quad (\text{perimeter of } ABCDEFG \times CJ) \\ &= (2 \times ((AB \times BC) + (0.5 \times DF \times OL))) + \\ &\quad ((AB + (2 \times BC) + (2 \times CD) + (2 \times DE)) \times CJ) \\ &= (2 \times ((14.1 \times 6.1) + (0.5 \times 6.1 \times 7.2))) + ((14.1 + (2 \times 6.1) + (2 \times 4.0) + (2 \times 8.3)) \times 4.2) \\ &= 429.7 \text{ ft}^2 \end{aligned}$$

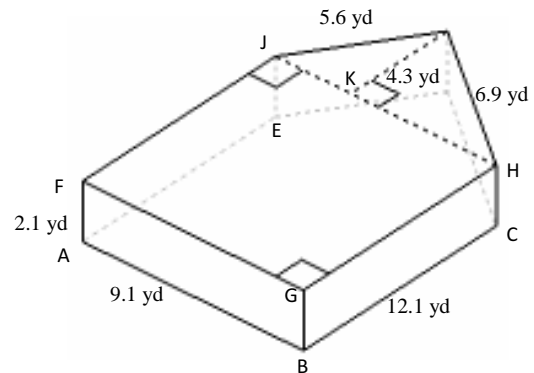
3)



$$\begin{aligned} V &= (\text{Area of } FGJI + \text{Area of } GHI) \times AF \\ &= ((FG \times GI) + (0.5 \times GI \times KH)) \times AF \\ &= ((15.1 \times 7.4) + (0.5 \times 7.4 \times 6.1)) \times 11.1 \\ &= 1490.8 \text{ m}^3 \end{aligned}$$

$$\begin{aligned} A &= (2 \times (\text{Area of } FGJI + \text{Area of } GHI)) + (\text{perimeter of } FGHIJ \times AF) \\ &= (2 \times ((FG \times GI) + (0.5 \times GI \times KH))) + ((2 \times FG) + GH + HI + FJ) \times AF \\ &= (2 \times (15.1 \times 7.4) + (0.5 \times 7.4 \times 6.1)) + ((2 \times 15.1) + 7.1 + 8.5 + 7.4) \times 11.1 \\ &= 859.1 \text{ m}^2 \end{aligned}$$

4)



$$\begin{aligned} V &= (\text{Area of } FGHI + \text{Area of } HIJ) \times AF \\ &= ((FG \times GH) + (0.5 \times HJ \times IK)) \times AF \\ &= ((9.1 \times 12.1) + (0.5 \times 9.1 \times 4.3)) \times 2.1 \\ &= 272.3 \text{ yd}^3 \end{aligned}$$

$$\begin{aligned} A &= (2 \times (\text{Area of } FGHI + \text{Area of } HIJ)) + (\text{perimeter of } FGHIJ \times AF) \\ &= (2 \times ((FG \times GH) + (0.5 \times HJ \times IK))) + ((FG + (2 \times GH) + HI + IJ) \times AF) \\ &= (2 \times ((9.1 \times 12.1) + (0.5 \times 9.1 \times 4.3))) + ((9.1 + (2 \times 12.1) + 6.9 + 5.6) \times 2.1) \\ &= 355.5 \text{ yd}^2 \end{aligned}$$