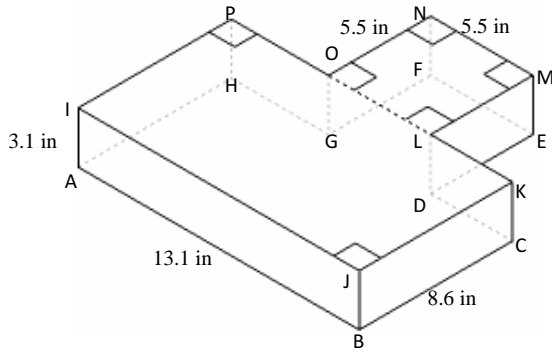


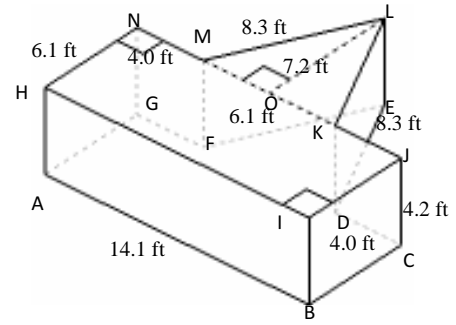
Volume and Surface Area of Composite Right Prisms (F)

Instructions: Find the volume and surface area for each composite right prism.

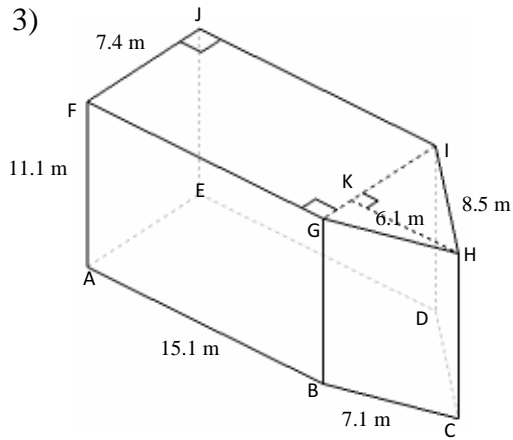
1)



2)



3)



4)

