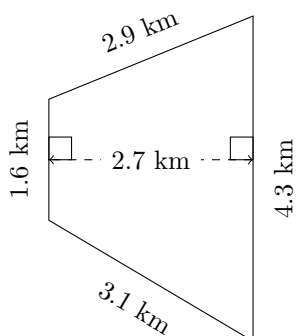


Area and Perimeter of Trapeziums (C)

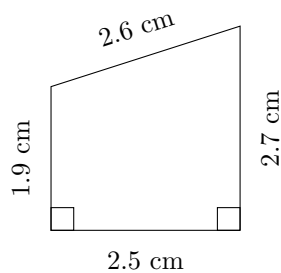
Calculate the perimeter and area for each trapezium.

1.



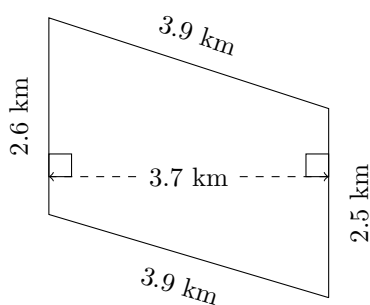
P = ?
A = ?

2.



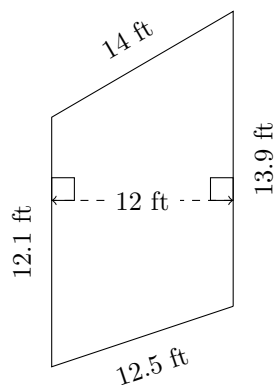
P = ?
A = ?

3.



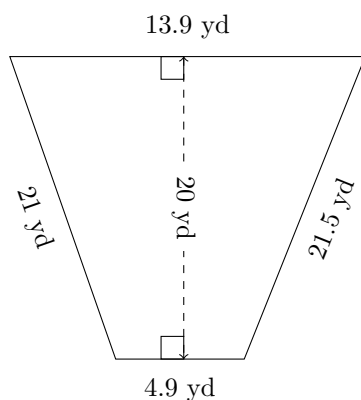
P = ?
A = ?

4.



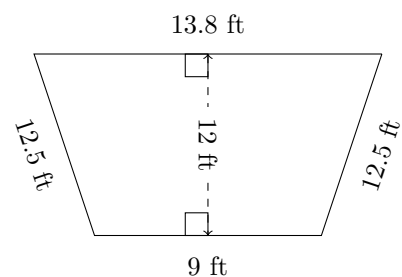
P = ?
A = ?

5.



P = ?
A = ?

6.

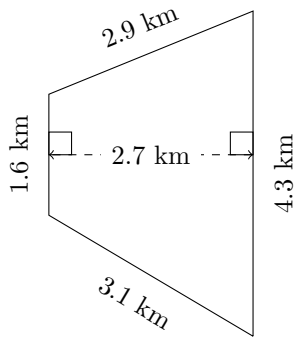


P = ?
A = ?

Area and Perimeter of Trapeziums (C) Answers

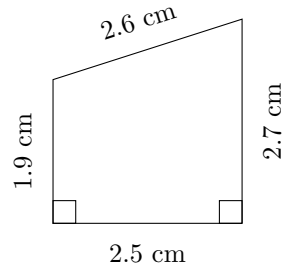
Calculate the perimeter and area for each trapezium.

1.



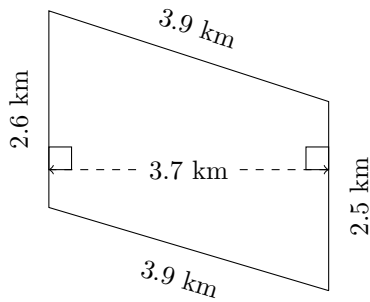
$P = 11.9 \text{ km}$
 $A = 7.965 \text{ km}^2$

2.



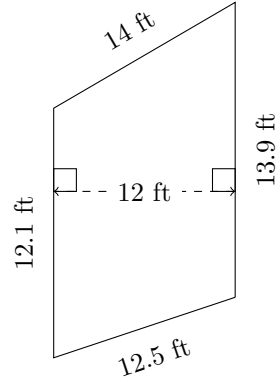
$P = 9.7 \text{ cm}$
 $A = 5.75 \text{ cm}^2$

3.



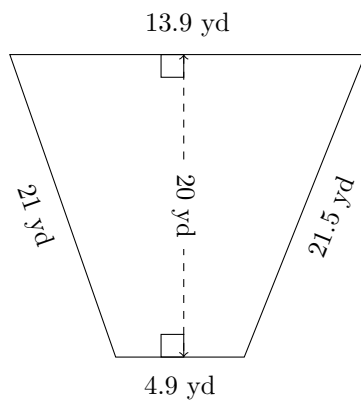
$P = 12.9 \text{ km}$
 $A = 9.435 \text{ km}^2$

4.



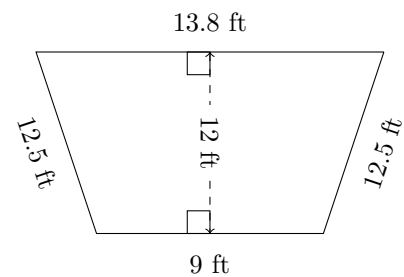
$P = 52.5 \text{ ft}$
 $A = 156 \text{ ft}^2$

5.



$P = 61.3 \text{ yd}$
 $A = 188 \text{ yd}^2$

6.



$P = 47.8 \text{ ft}$
 $A = 136.8 \text{ ft}^2$