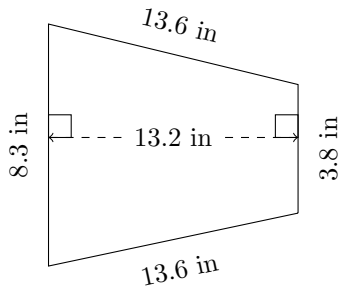


Area and Perimeter of Trapeziums (D)

Calculate the perimeter and area for each trapezium.

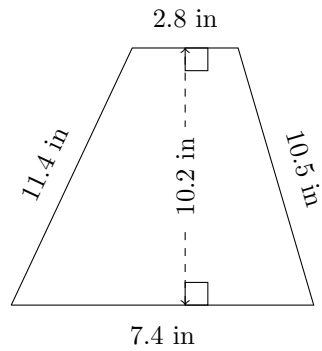
1.



P = ?

A = ?

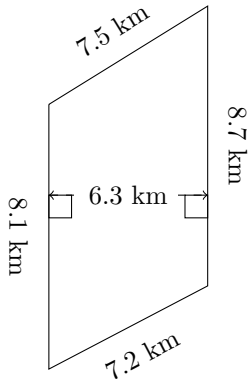
2.



P = ?

A = ?

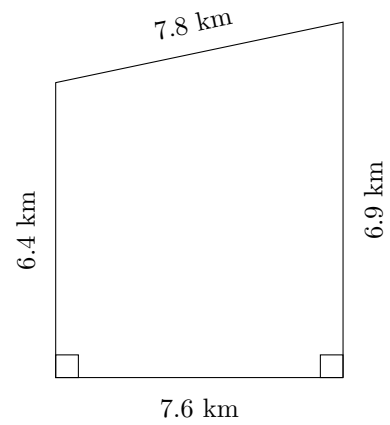
3.



P = ?

A = ?

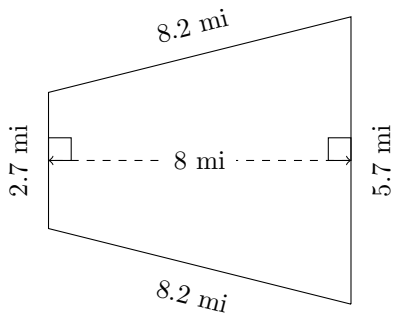
4.



P = ?

A = ?

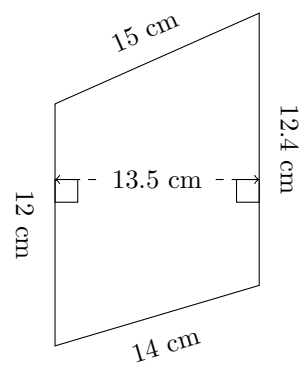
5.



P = ?

A = ?

6.



P = ?

A = ?