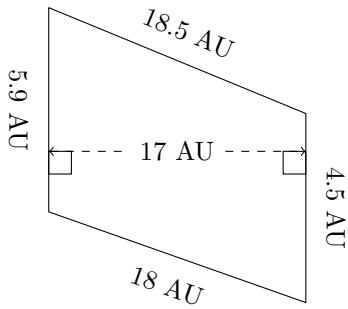


Area and Perimeter of Trapeziums (F)

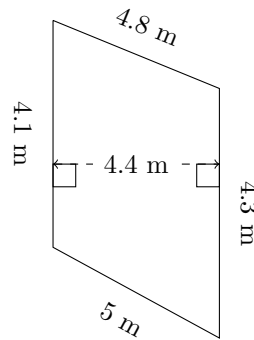
Calculate the perimeter and area for each trapezium.

1.



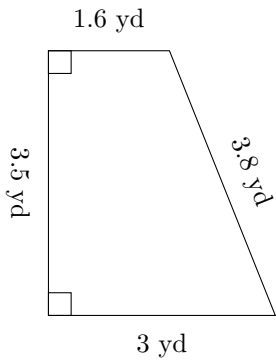
P = ?
A = ?

2.



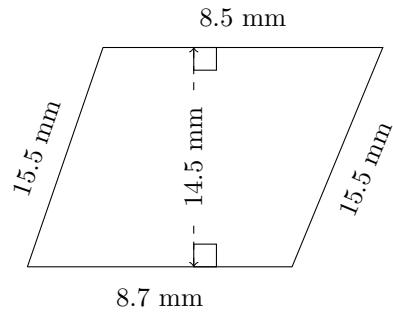
P = ?
A = ?

3.



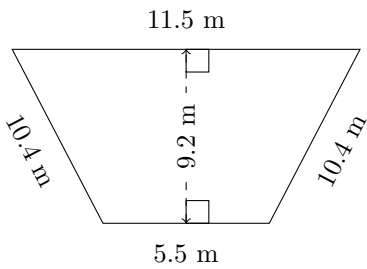
P = ?
A = ?

4.



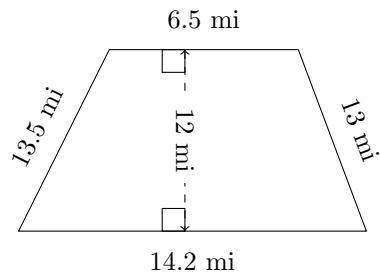
P = ?
A = ?

5.



P = ?
A = ?

6.

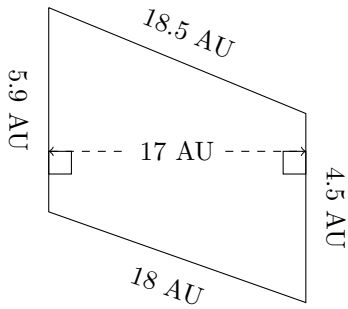


P = ?
A = ?

Area and Perimeter of Trapeziums (F) Answers

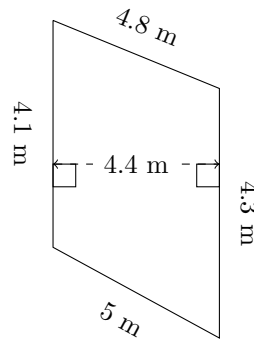
Calculate the perimeter and area for each trapezium.

1.



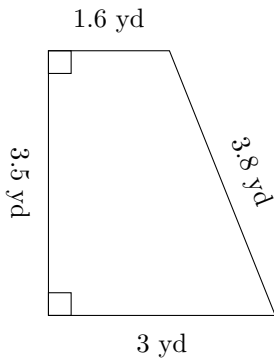
$P = 46.9 \text{ AU}$
 $A = 88.4 \text{ AU}^2$

2.



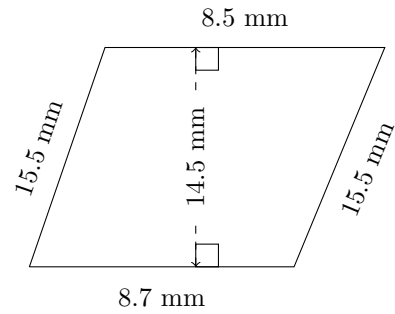
$P = 18.2 \text{ m}$
 $A = 18.48 \text{ m}^2$

3.



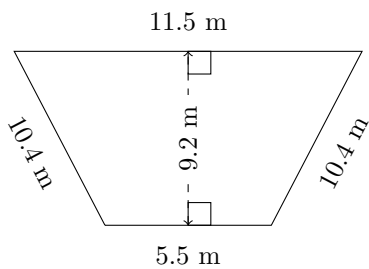
$P = 11.9 \text{ yd}$
 $A = 8.05 \text{ yd}^2$

4.



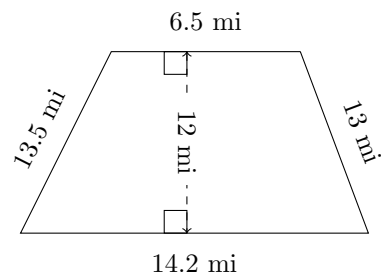
$P = 48.2 \text{ mm}$
 $A = 124.7 \text{ mm}^2$

5.



$P = 37.8 \text{ m}$
 $A = 78.2 \text{ m}^2$

6.



$P = 47.2 \text{ mi}$
 $A = 124.2 \text{ mi}^2$