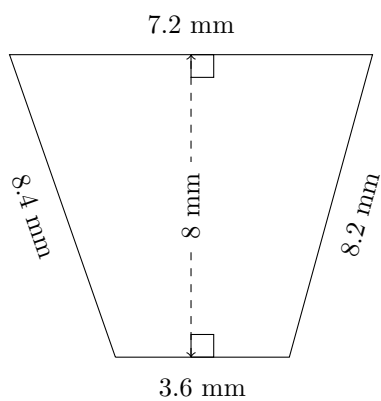


Area and Perimeter of Trapeziums (H)

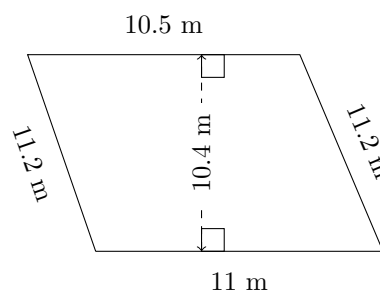
Calculate the perimeter and area for each trapezium.

1.



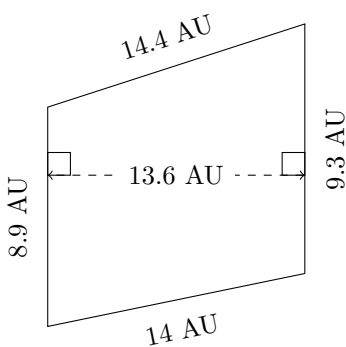
P = ?
A = ?

2.



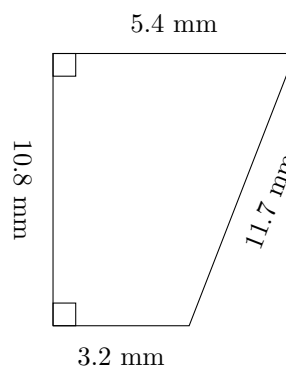
P = ?
A = ?

3.



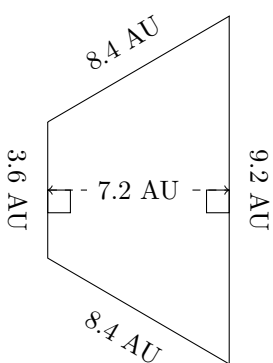
P = ?
A = ?

4.



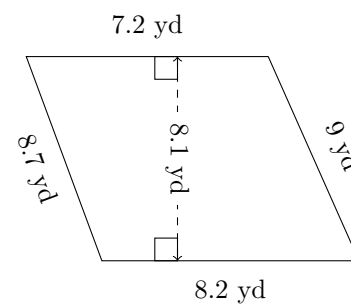
P = ?
A = ?

5.



P = ?
A = ?

6.

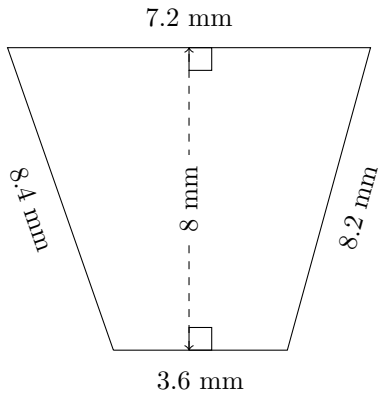


P = ?
A = ?

Area and Perimeter of Trapeziums (H) Answers

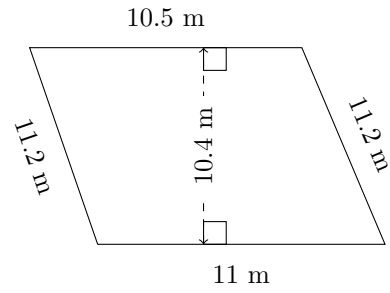
Calculate the perimeter and area for each trapezium.

1.



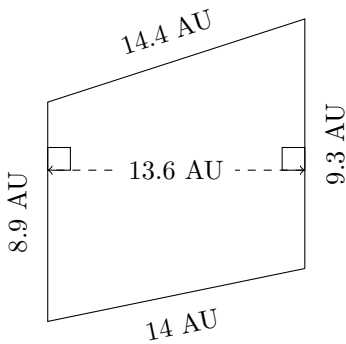
$P = 27.4 \text{ mm}$
 $A = 43.2 \text{ mm}^2$

2.



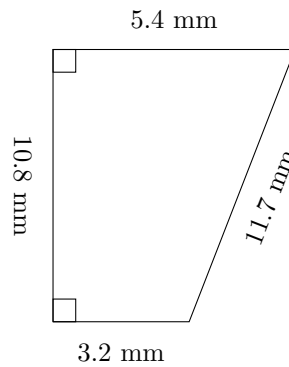
$P = 43.9 \text{ m}$
 $A = 111.8 \text{ m}^2$

3.



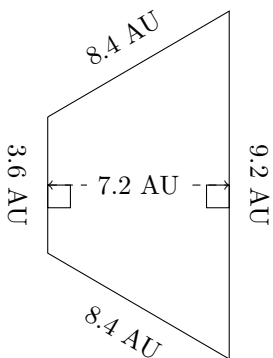
$P = 46.6 \text{ AU}$
 $A = 123.76 \text{ AU}^2$

4.



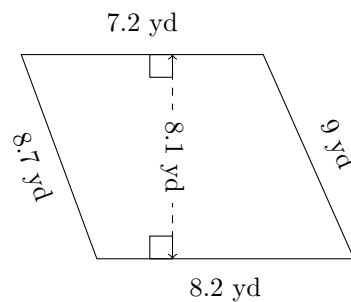
$P = 31.1 \text{ mm}$
 $A = 46.44 \text{ mm}^2$

5.



$P = 29.6 \text{ AU}$
 $A = 46.08 \text{ AU}^2$

6.



$P = 33.1 \text{ yd}$
 $A = 62.37 \text{ yd}^2$