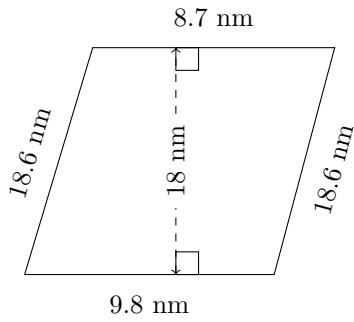


Area and Perimeter of Trapeziums (C)

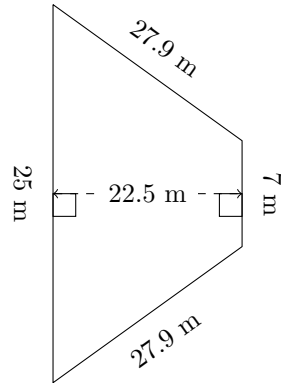
Calculate the perimeter and area for each trapezium.

1.



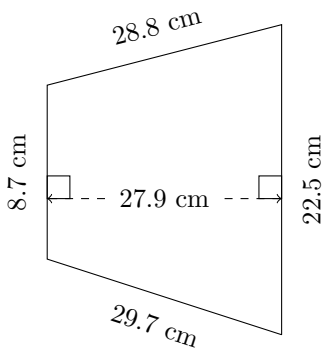
P = ?
A = ?

2.



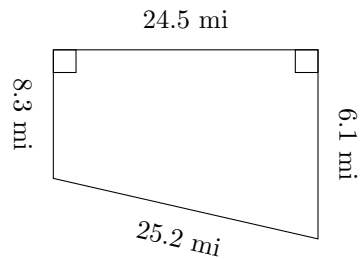
P = ?
A = ?

3.



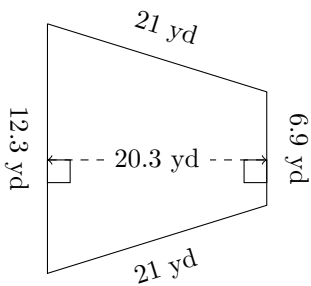
P = ?
A = ?

4.



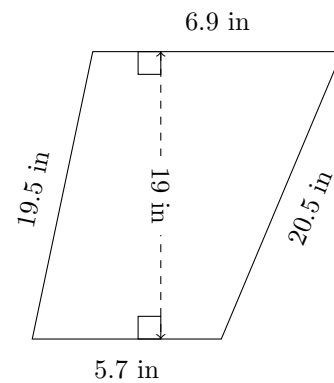
P = ?
A = ?

5.



P = ?
A = ?

6.

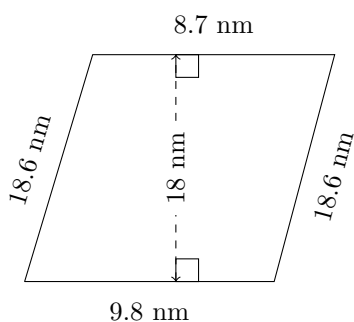


P = ?
A = ?

Area and Perimeter of Trapeziums (C) Answers

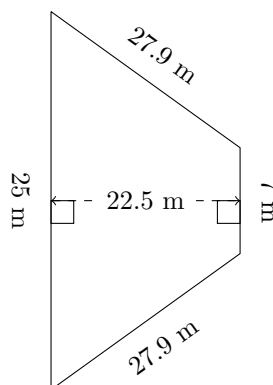
Calculate the perimeter and area for each trapezium.

1.



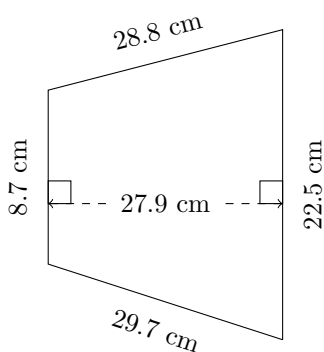
$P = 55.7 \text{ nm}$
 $A = 166.5 \text{ nm}^2$

2.



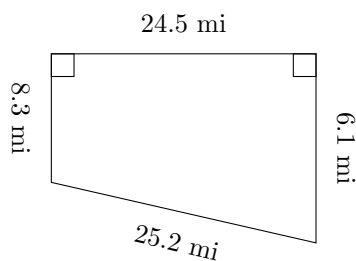
$P = 87.8 \text{ m}$
 $A = 360 \text{ m}^2$

3.



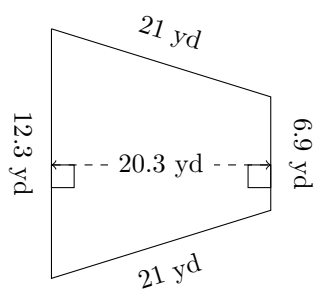
$P = 89.7 \text{ cm}$
 $A = 435.24 \text{ cm}^2$

4.



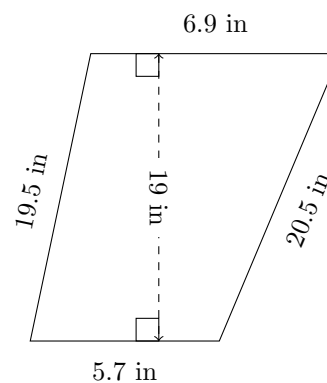
$P = 64.1 \text{ mi}$
 $A = 176.4 \text{ mi}^2$

5.



$P = 61.2 \text{ yd}$
 $A = 194.88 \text{ yd}^2$

6.



$P = 52.6 \text{ in}$
 $A = 119.7 \text{ in}^2$