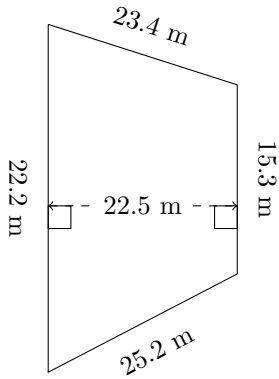


Area and Perimeter of Trapeziums (D)

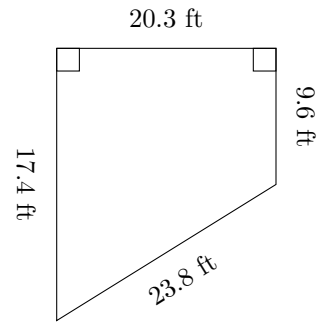
Calculate the perimeter and area for each trapezium.

1.



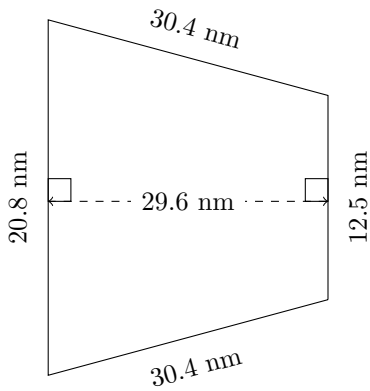
P = ?
A = ?

2.



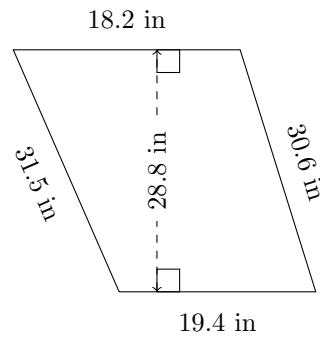
P = ?
A = ?

3.



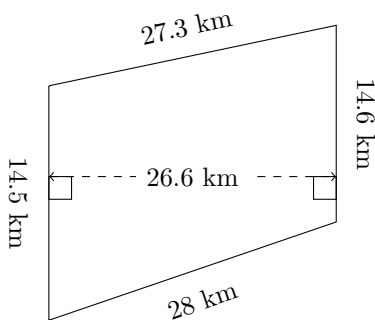
P = ?
A = ?

4.



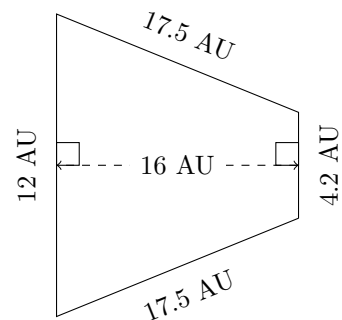
P = ?
A = ?

5.



P = ?
A = ?

6.

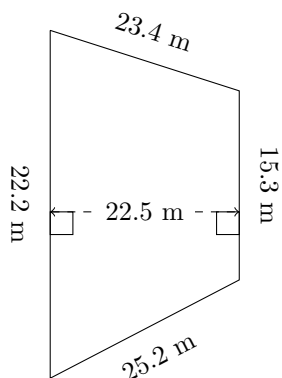


P = ?
A = ?

Area and Perimeter of Trapeziums (D) Answers

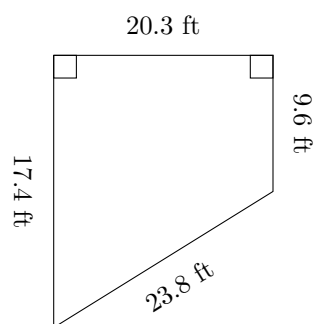
Calculate the perimeter and area for each trapezium.

1.



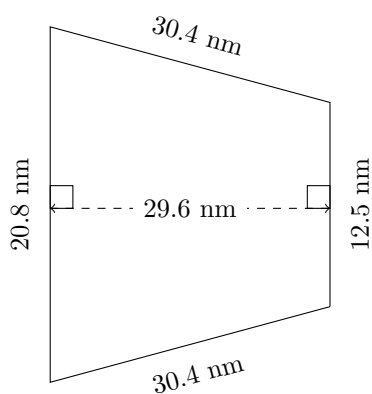
$P = 86.1 \text{ m}$
 $A = 421.875 \text{ m}^2$

2.



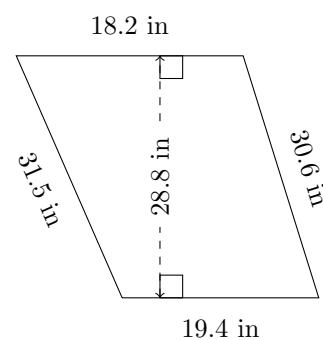
$P = 71.1 \text{ ft}$
 $A = 274.05 \text{ ft}^2$

3.



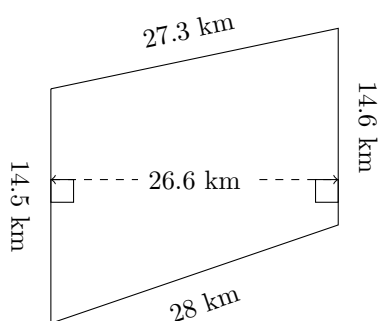
$P = 94.1 \text{ nm}$
 $A = 492.84 \text{ nm}^2$

4.



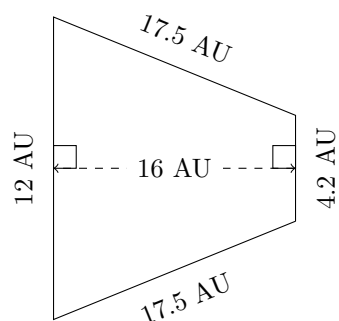
$P = 99.7 \text{ in}$
 $A = 541.44 \text{ in}^2$

5.



$P = 84.4 \text{ km}$
 $A = 387.03 \text{ km}^2$

6.



$P = 51.2 \text{ AU}$
 $A = 129.6 \text{ AU}^2$