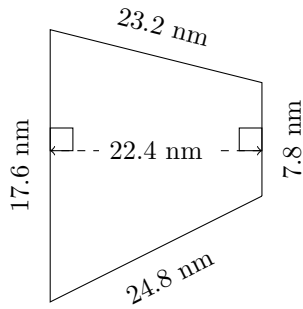


Area and Perimeter of Trapeziums (F)

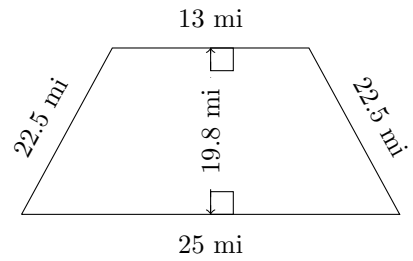
Calculate the perimeter and area for each trapezium.

1.



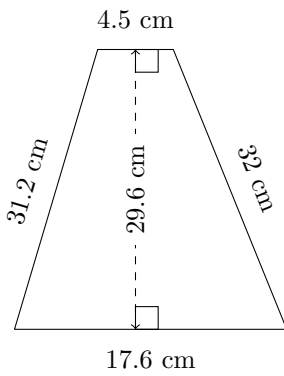
P = ?
A = ?

2.



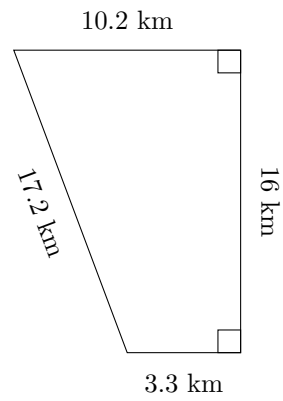
P = ?
A = ?

3.



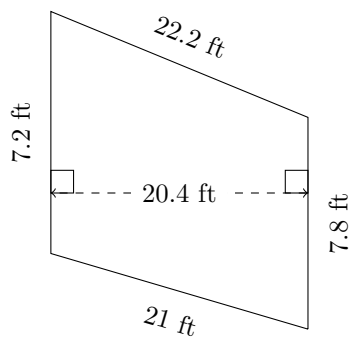
P = ?
A = ?

4.



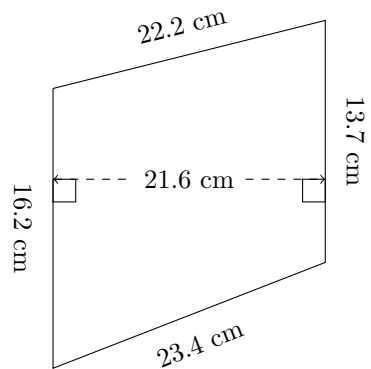
P = ?
A = ?

5.



P = ?
A = ?

6.

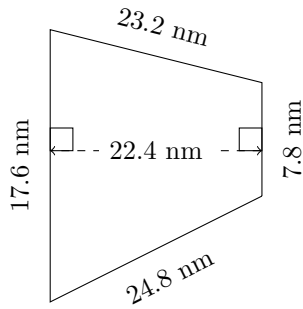


P = ?
A = ?

Area and Perimeter of Trapeziums (F) Answers

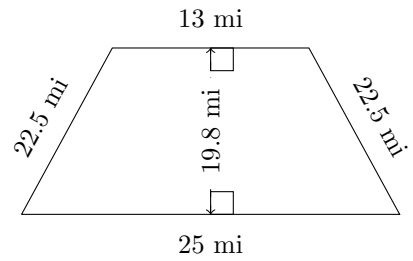
Calculate the perimeter and area for each trapezium.

1.



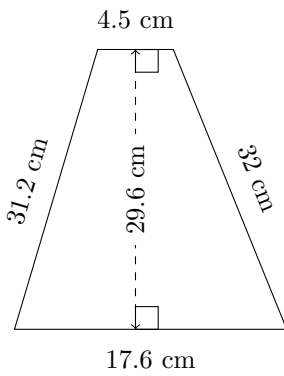
$P = 73.4 \text{ nm}$
 $A = 284.48 \text{ nm}^2$

2.



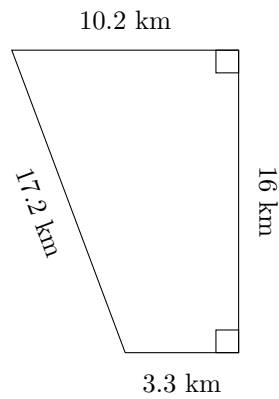
$P = 83 \text{ mi}$
 $A = 376.2 \text{ mi}^2$

3.



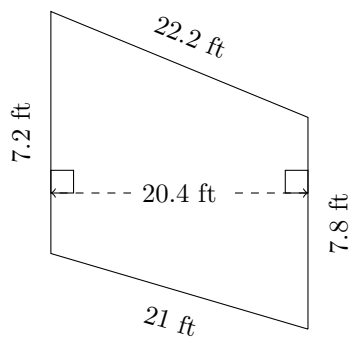
$P = 85.3 \text{ cm}$
 $A = 327.08 \text{ cm}^2$

4.



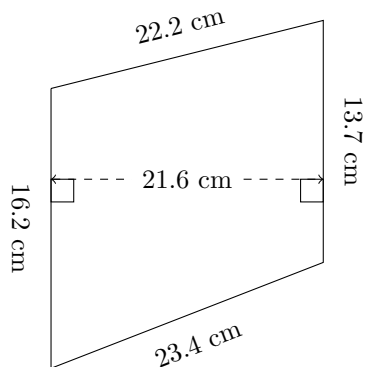
$P = 46.7 \text{ km}$
 $A = 108 \text{ km}^2$

5.



$P = 58.2 \text{ ft}$
 $A = 153 \text{ ft}^2$

6.



$P = 75.5 \text{ cm}$
 $A = 322.92 \text{ cm}^2$