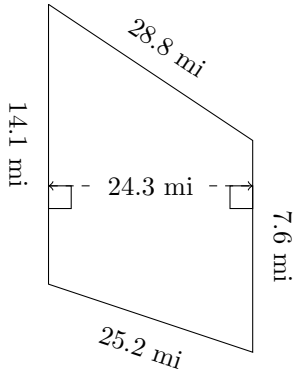


Area and Perimeter of Trapeziums (G)

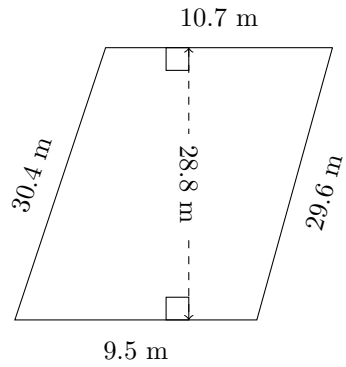
Calculate the perimeter and area for each trapezium.

1.



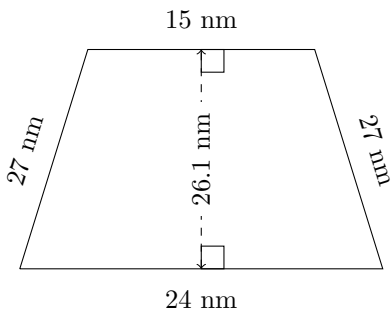
P = ?
A = ?

2.



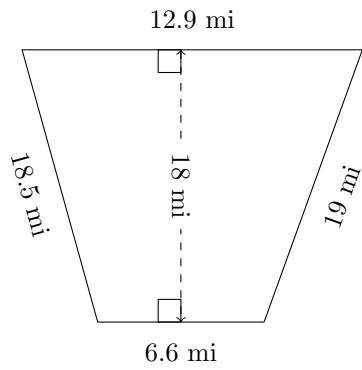
P = ?
A = ?

3.



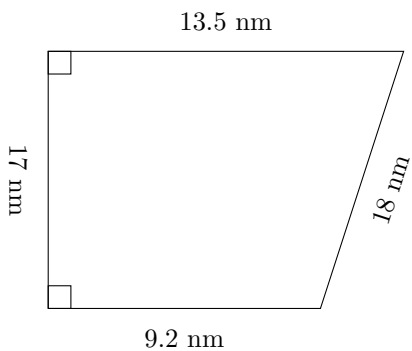
P = ?
A = ?

4.



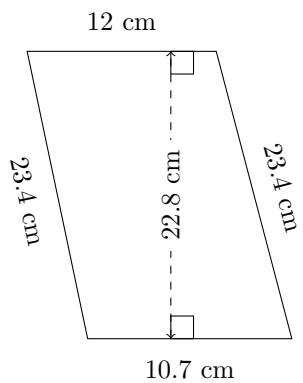
P = ?
A = ?

5.



P = ?
A = ?

6.

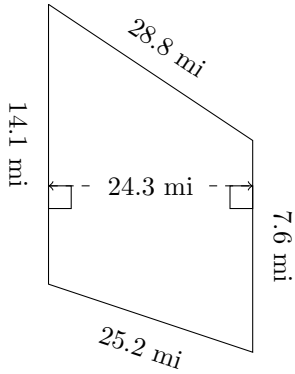


P = ?
A = ?

Area and Perimeter of Trapeziums (G) Answers

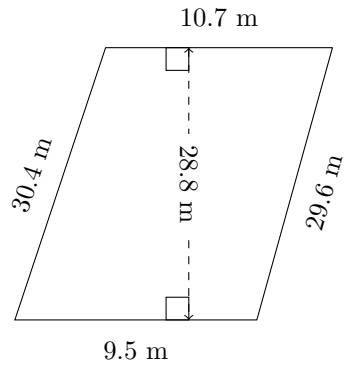
Calculate the perimeter and area for each trapezium.

1.



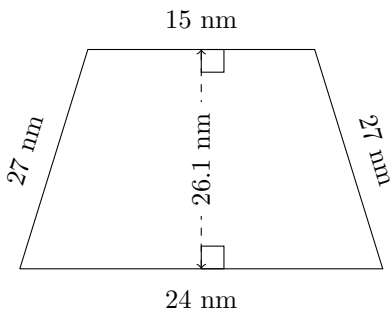
$P = 75.7 \text{ mi}$
 $A = 263.655 \text{ mi}^2$

2.



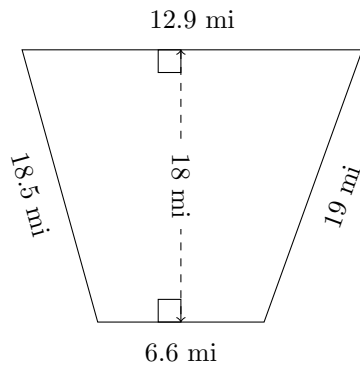
$P = 80.2 \text{ m}$
 $A = 290.88 \text{ m}^2$

3.



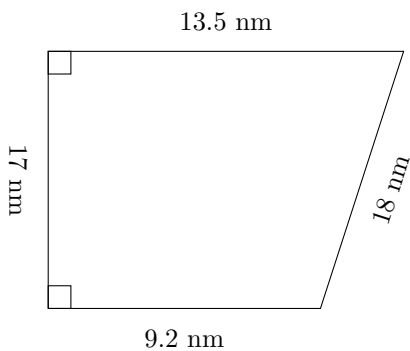
$P = 93 \text{ nm}$
 $A = 508.95 \text{ nm}^2$

4.



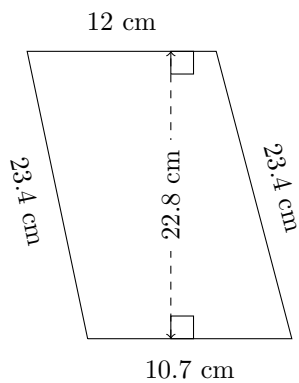
$P = 57 \text{ mi}$
 $A = 175.5 \text{ mi}^2$

5.



$P = 57.7 \text{ nm}$
 $A = 192.95 \text{ nm}^2$

6.



$P = 69.5 \text{ cm}$
 $A = 258.78 \text{ cm}^2$