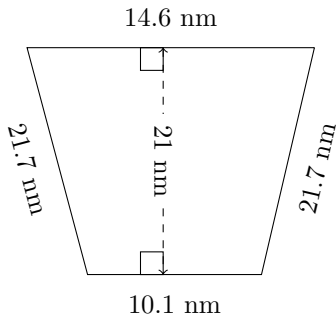


# Area and Perimeter of Trapeziums (A)

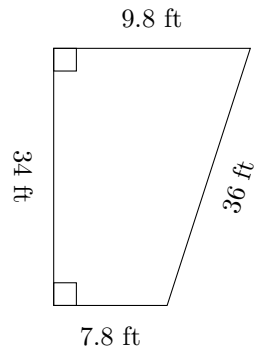
Calculate the perimeter and area for each trapezium.

1.



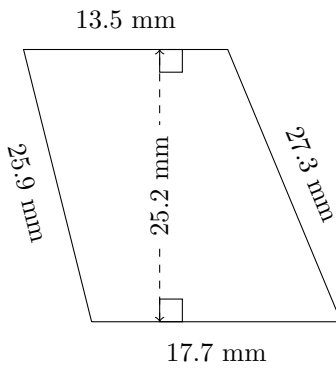
P = ?  
A = ?

2.



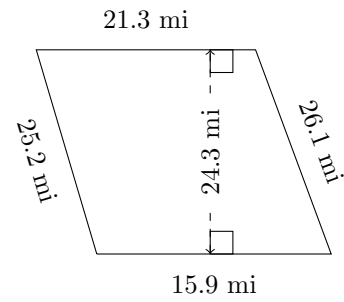
P = ?  
A = ?

3.



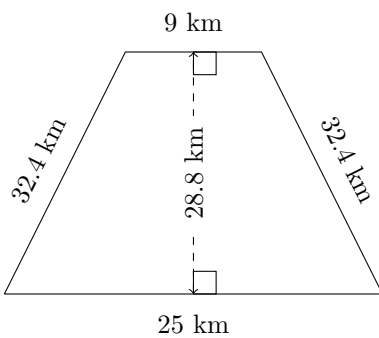
P = ?  
A = ?

4.



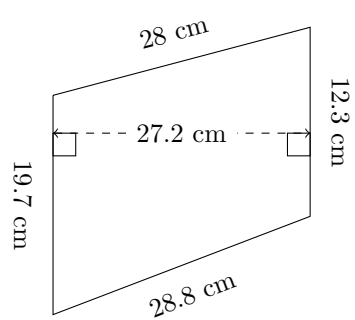
P = ?  
A = ?

5.



P = ?  
A = ?

6.

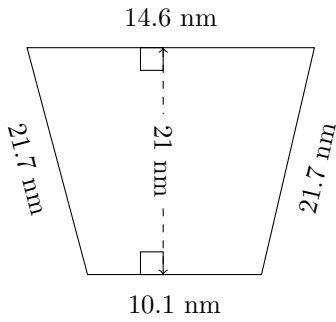


P = ?  
A = ?

# Area and Perimeter of Trapeziums (A) Answers

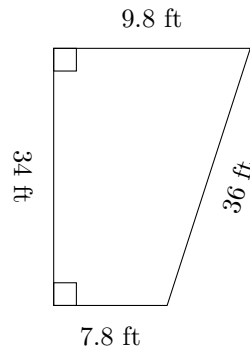
Calculate the perimeter and area for each trapezium.

1.



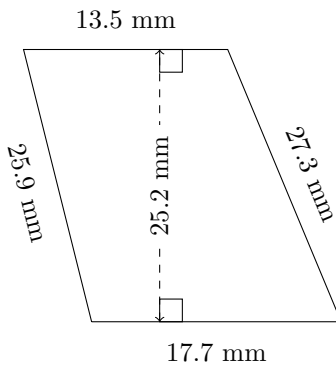
$$P = 68.1 \text{ mm}$$
$$A = 259.35 \text{ mm}^2$$

2.



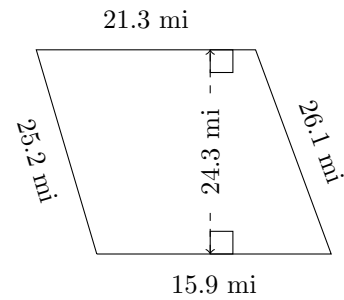
$$P = 87.6 \text{ ft}$$
$$A = 299.2 \text{ ft}^2$$

3.



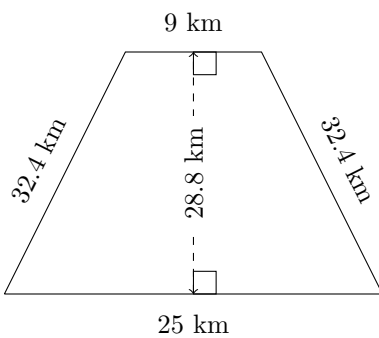
$$P = 84.4 \text{ mm}$$
$$A = 393.12 \text{ mm}^2$$

4.



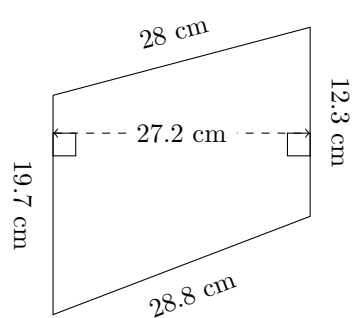
$$P = 88.5 \text{ mi}$$
$$A = 451.98 \text{ mi}^2$$

5.



$$P = 98.8 \text{ km}$$
$$A = 489.6 \text{ km}^2$$

6.



$$P = 88.8 \text{ cm}$$
$$A = 435.2 \text{ cm}^2$$