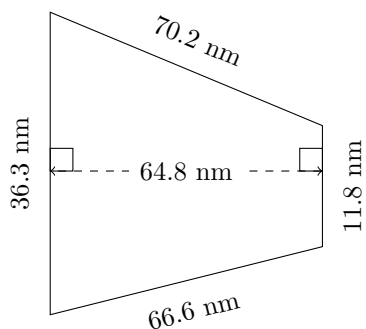


# Area and Perimeter of Trapeziums (B)

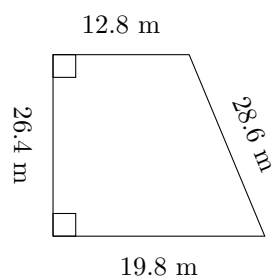
Calculate the perimeter and area for each trapezium.

1.



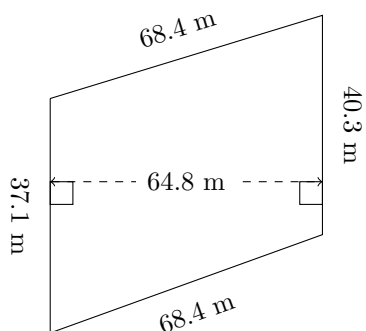
P = ?  
A = ?

2.



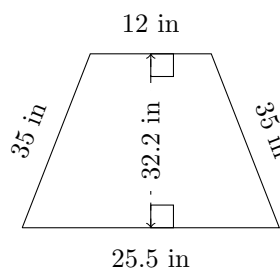
P = ?  
A = ?

3.



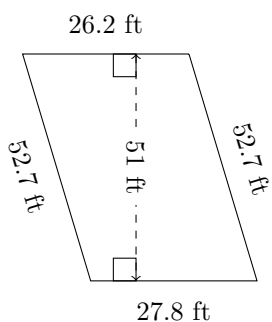
P = ?  
A = ?

4.



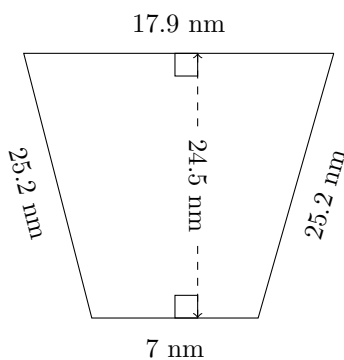
P = ?  
A = ?

5.



P = ?  
A = ?

6.

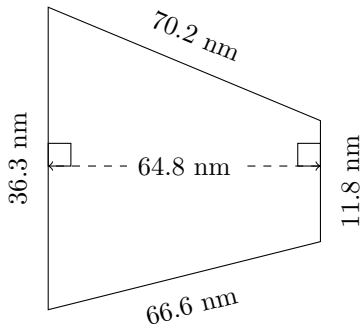


P = ?  
A = ?

# Area and Perimeter of Trapeziums (B) Answers

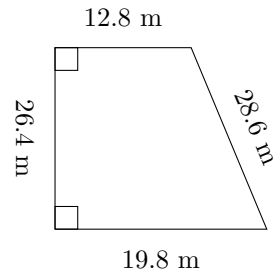
Calculate the perimeter and area for each trapezium.

1.



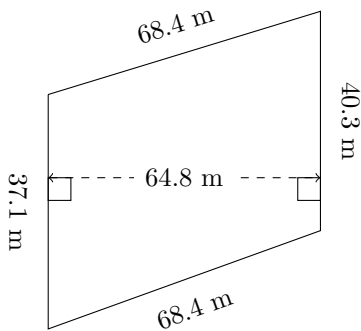
$P = 184.9 \text{ mm}$   
 $A = 1558.44 \text{ mm}^2$

2.



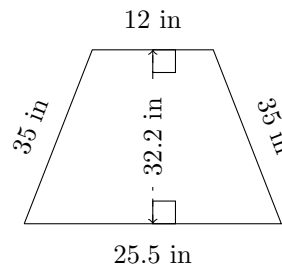
$P = 87.6 \text{ m}$   
 $A = 430.32 \text{ m}^2$

3.



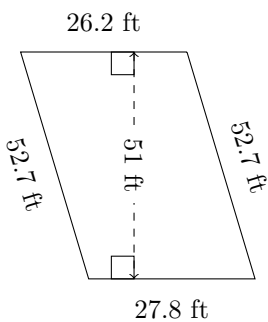
$P = 214.2 \text{ m}$   
 $A = 2507.76 \text{ m}^2$

4.



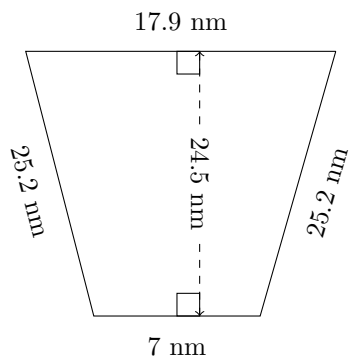
$P = 107.5 \text{ in}$   
 $A = 603.75 \text{ in}^2$

5.



$P = 159.4 \text{ ft}$   
 $A = 1377 \text{ ft}^2$

6.



$P = 75.3 \text{ mm}$   
 $A = 305.025 \text{ mm}^2$