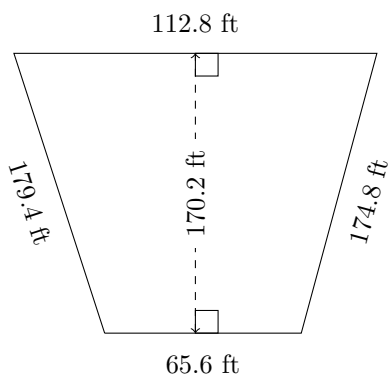


# Area and Perimeter of Trapeziums (A)

Calculate the perimeter and area for each trapezium.

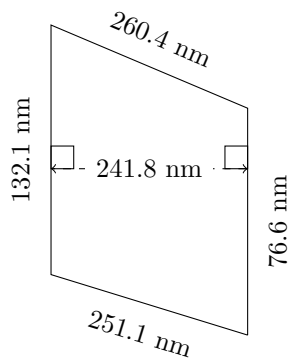
1.



$P = ?$

$A = ?$

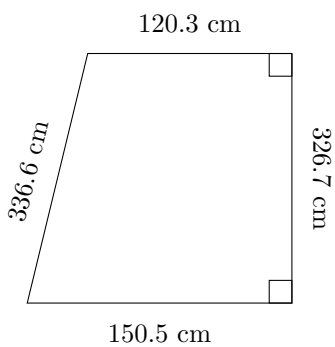
2.



$P = ?$

$A = ?$

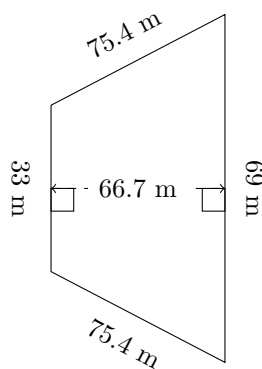
3.



$P = ?$

$A = ?$

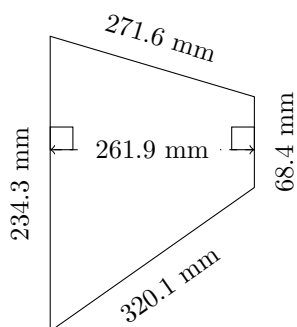
4.



$P = ?$

$A = ?$

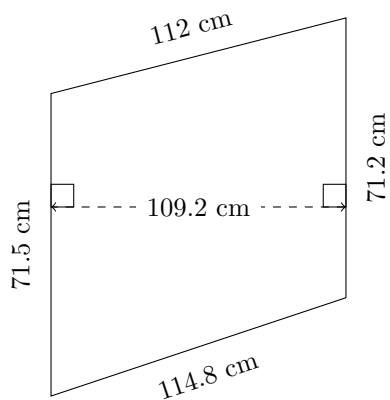
5.



$P = ?$

$A = ?$

6.



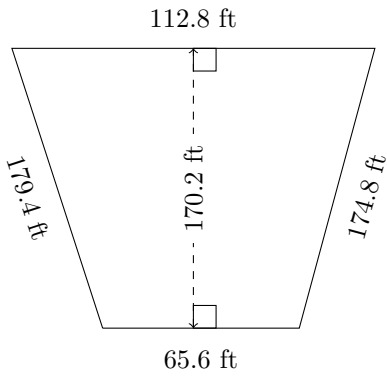
$P = ?$

$A = ?$

# Area and Perimeter of Trapeziums (A) Answers

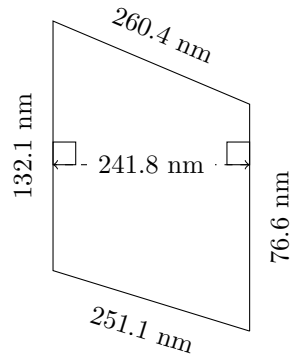
Calculate the perimeter and area for each trapezium.

1.



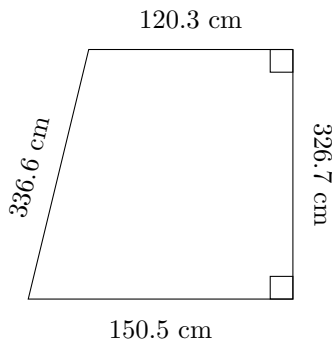
$P = 532.6 \text{ ft}$   
 $A = 15,181.84 \text{ ft}^2$

2.



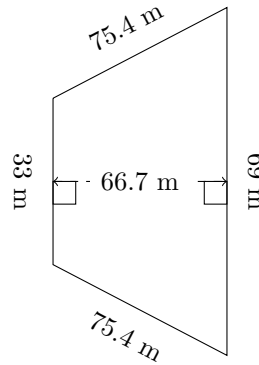
$P = 720.2 \text{ mm}$   
 $A = 25,231.83 \text{ mm}^2$

3.



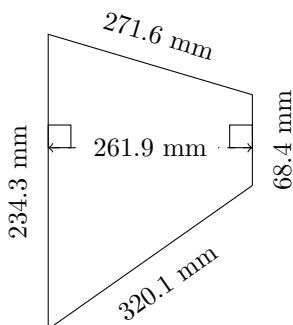
$P = 934.1 \text{ cm}$   
 $A = 44,235.18 \text{ cm}^2$

4.



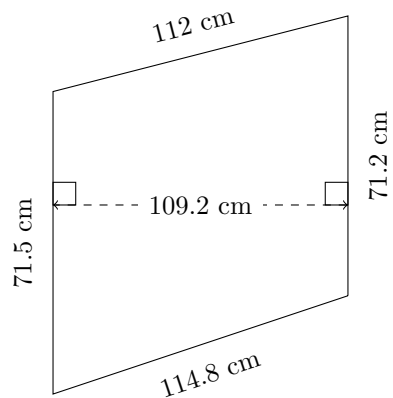
$P = 252.8 \text{ m}$   
 $A = 3401.7 \text{ m}^2$

5.



$P = 894.4 \text{ mm}$   
 $A = 39,638.565 \text{ mm}^2$

6.



$P = 369.5 \text{ cm}$   
 $A = 7791.42 \text{ cm}^2$