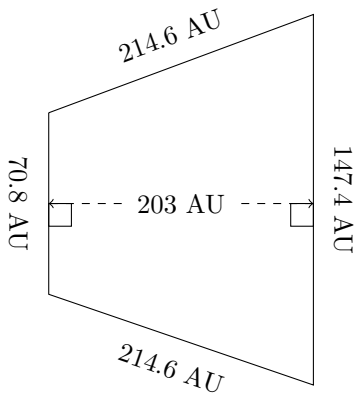


# Area and Perimeter of Trapeziums (G)

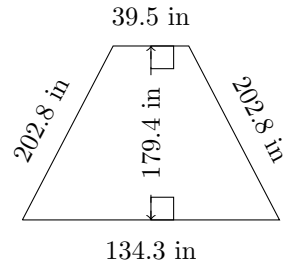
Calculate the perimeter and area for each trapezium.

1.



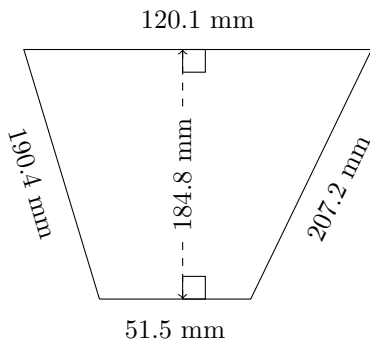
P = ?  
A = ?

2.



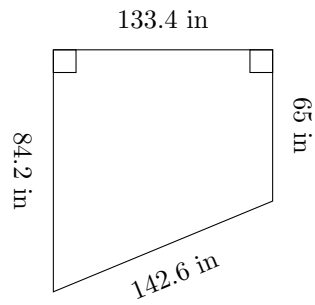
P = ?  
A = ?

3.



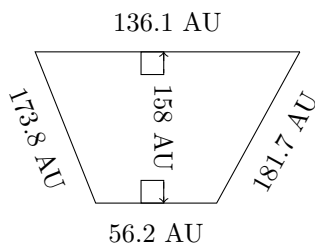
P = ?  
A = ?

4.



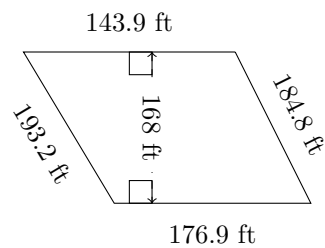
P = ?  
A = ?

5.



P = ?  
A = ?

6.

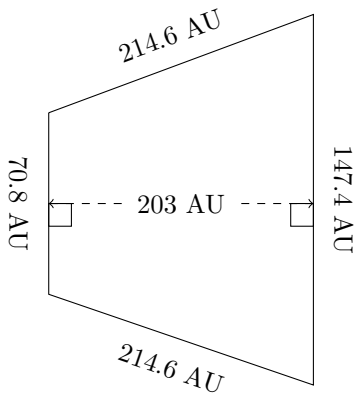


P = ?  
A = ?

# Area and Perimeter of Trapeziums (G) Answers

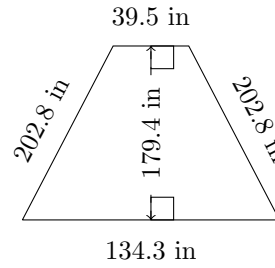
Calculate the perimeter and area for each trapezium.

1.



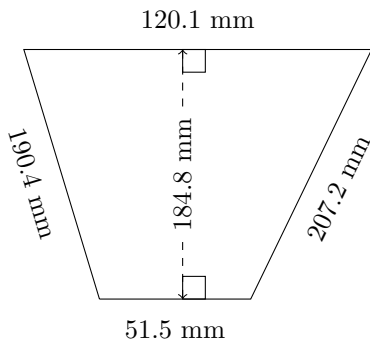
$P = 647.4 \text{ AU}$   
 $A = 22,147.3 \text{ AU}^2$

2.



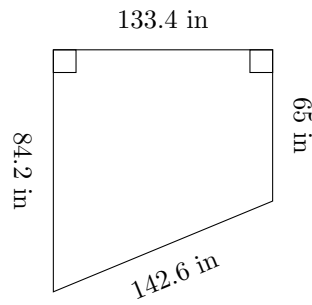
$P = 579.4 \text{ in}$   
 $A = 15,589.86 \text{ in}^2$

3.



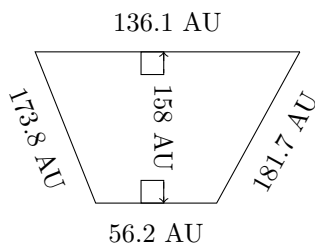
$P = 569.2 \text{ mm}$   
 $A = 15,855.84 \text{ mm}^2$

4.



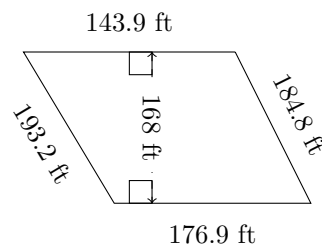
$P = 425.2 \text{ in}$   
 $A = 9951.64 \text{ in}^2$

5.



$P = 547.8 \text{ AU}$   
 $A = 15,191.7 \text{ AU}^2$

6.



$P = 698.8 \text{ ft}$   
 $A = 26,947.2 \text{ ft}^2$