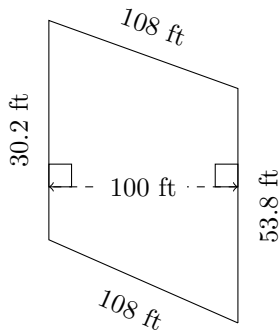


Area and Perimeter of Trapeziums (I)

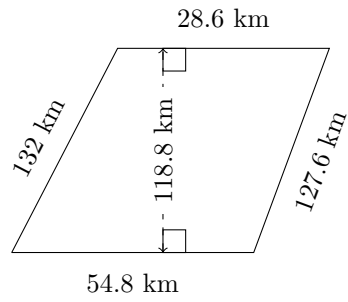
Calculate the perimeter and area for each trapezium.

1.



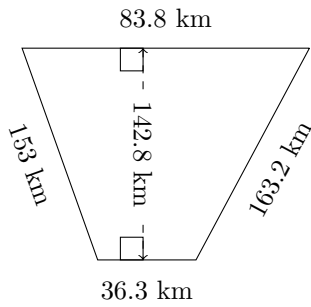
P = ?
A = ?

2.



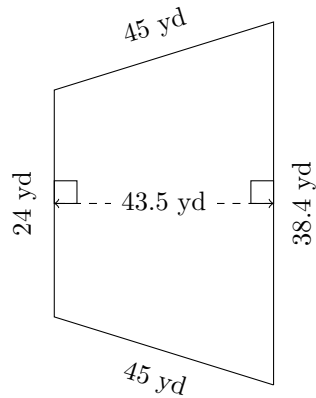
P = ?
A = ?

3.



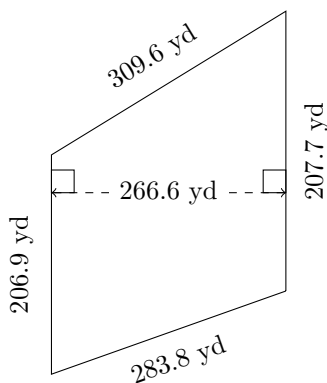
P = ?
A = ?

4.



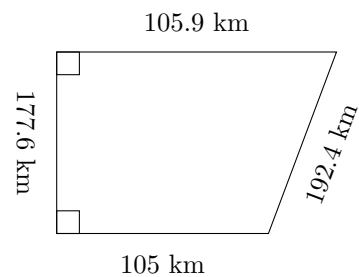
P = ?
A = ?

5.



P = ?
A = ?

6.

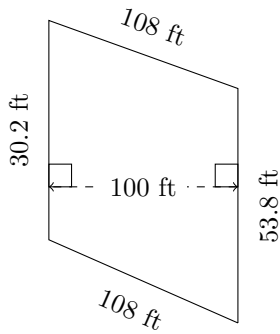


P = ?
A = ?

Area and Perimeter of Trapeziums (I) Answers

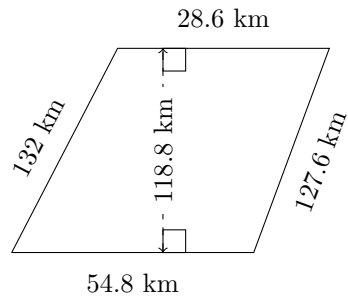
Calculate the perimeter and area for each trapezium.

1.



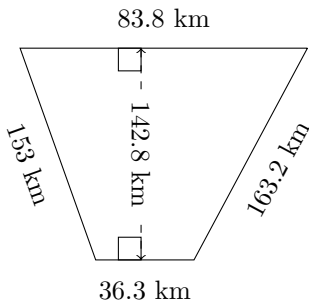
$P = 300 \text{ ft}$
 $A = 4200 \text{ ft}^2$

2.



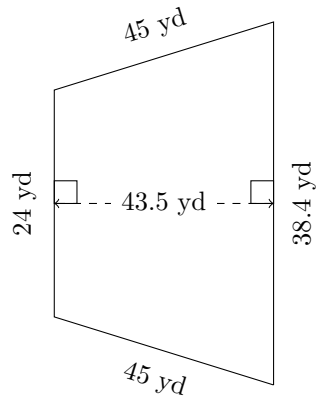
$P = 343 \text{ km}$
 $A = 4953.96 \text{ km}^2$

3.



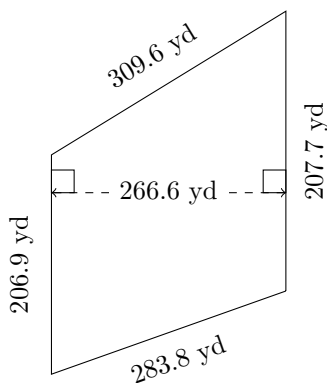
$P = 436.3 \text{ km}$
 $A = 8575.14 \text{ km}^2$

4.



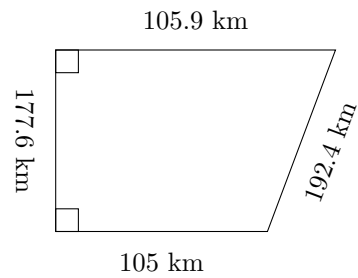
$P = 152.4 \text{ yd}$
 $A = 1357.2 \text{ yd}^2$

5.



$P = 1008 \text{ yd}$
 $A = 55,266.18 \text{ yd}^2$

6.



$P = 580.9 \text{ km}$
 $A = 18,727.92 \text{ km}^2$