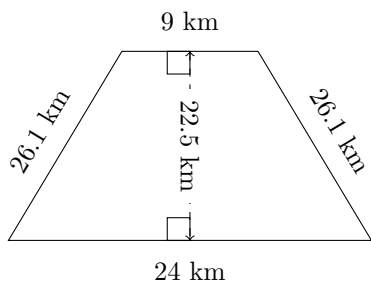


Area and Perimeter of Trapeziums (A)

Calculate the perimeter and area for each trapezium.

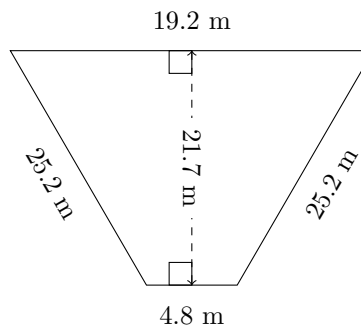
1.



P = ?

A = ?

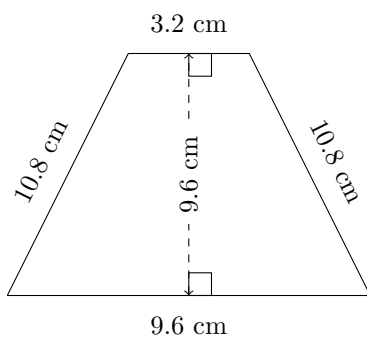
2.



P = ?

A = ?

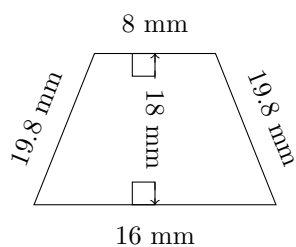
3.



P = ?

A = ?

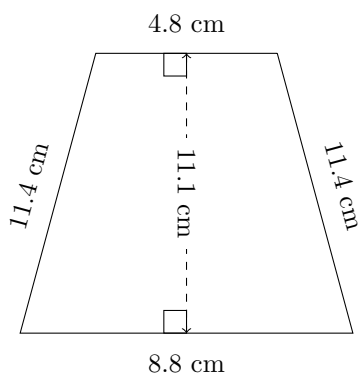
4.



P = ?

A = ?

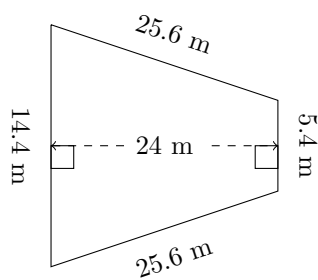
5.



P = ?

A = ?

6.



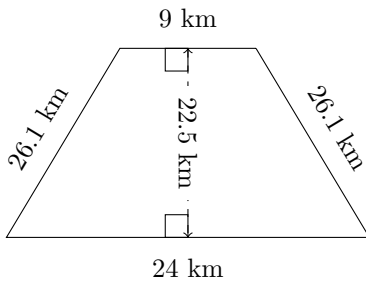
P = ?

A = ?

Area and Perimeter of Trapeziums (A) Answers

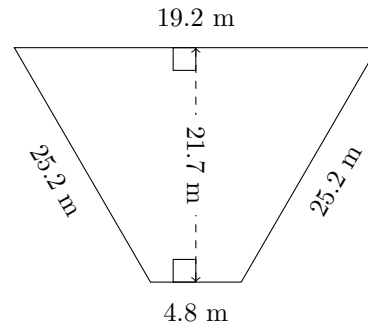
Calculate the perimeter and area for each trapezium.

1.



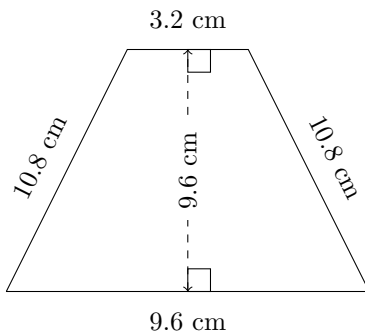
$P = 85.2 \text{ km}$
 $A = 371.25 \text{ km}^2$

2.



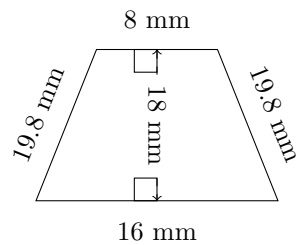
$P = 74.4 \text{ m}$
 $A = 260.4 \text{ m}^2$

3.



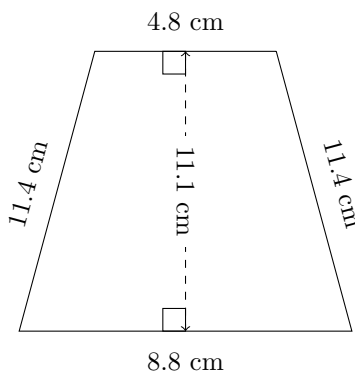
$P = 34.4 \text{ cm}$
 $A = 61.44 \text{ cm}^2$

4.



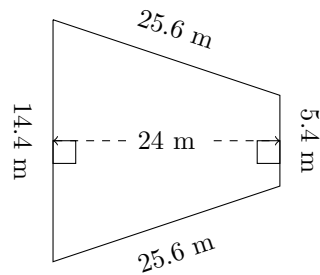
$P = 63.6 \text{ mm}$
 $A = 216 \text{ mm}^2$

5.



$P = 36.4 \text{ cm}$
 $A = 75.48 \text{ cm}^2$

6.



$P = 71 \text{ m}$
 $A = 237.6 \text{ m}^2$