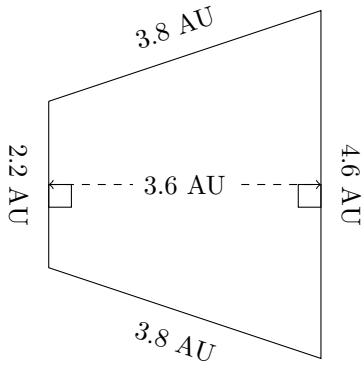


Area and Perimeter of Trapeziums (C)

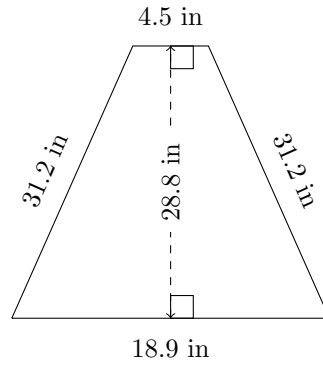
Calculate the perimeter and area for each trapezium.

1.



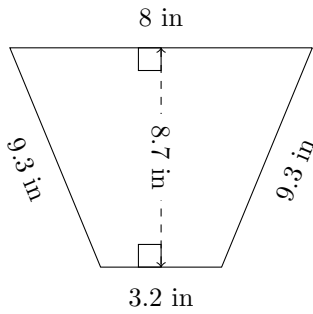
P = ?
A = ?

2.



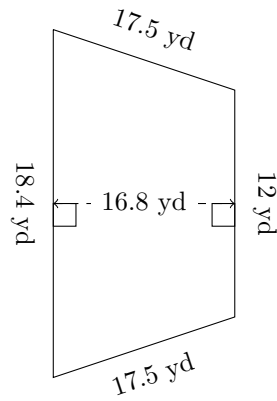
P = ?
A = ?

3.



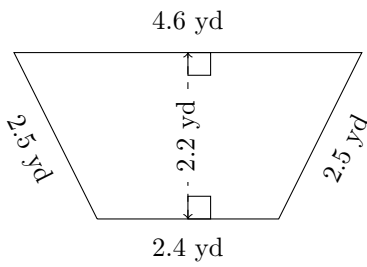
P = ?
A = ?

4.



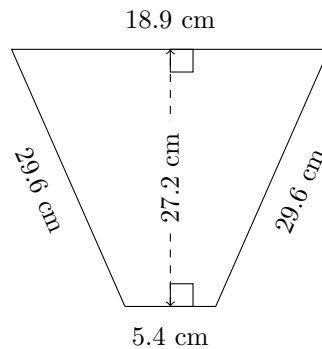
P = ?
A = ?

5.



P = ?
A = ?

6.

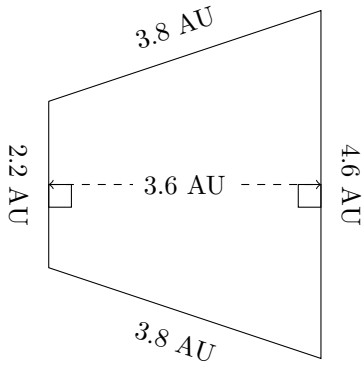


P = ?
A = ?

Area and Perimeter of Trapeziums (C) Answers

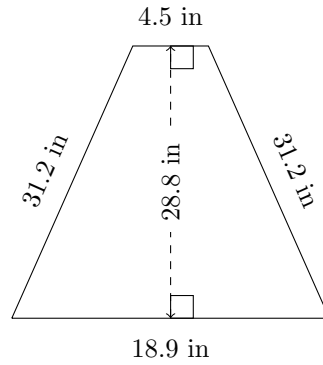
Calculate the perimeter and area for each trapezium.

1.



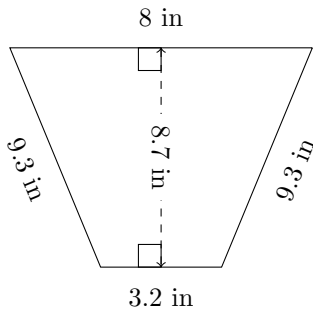
$P = 14.4 \text{ AU}$
 $A = 12.24 \text{ AU}^2$

2.



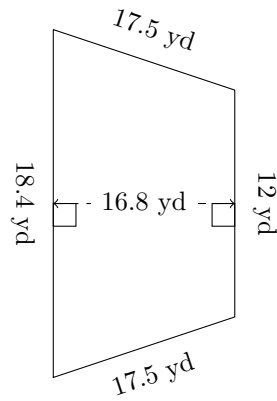
$P = 85.8 \text{ in}$
 $A = 336.96 \text{ in}^2$

3.



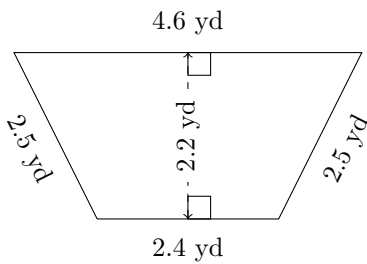
$P = 29.8 \text{ in}$
 $A = 48.72 \text{ in}^2$

4.



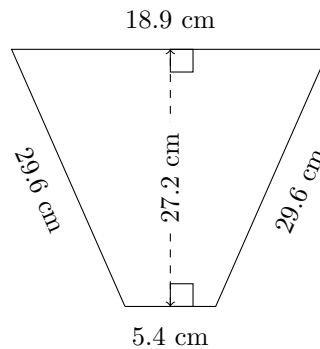
$P = 65.4 \text{ yd}$
 $A = 255.36 \text{ yd}^2$

5.



$P = 12 \text{ yd}$
 $A = 7.7 \text{ yd}^2$

6.



$P = 83.5 \text{ cm}$
 $A = 330.48 \text{ cm}^2$