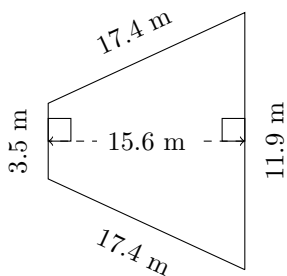


Area and Perimeter of Trapeziums (E)

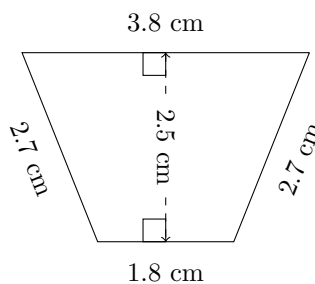
Calculate the perimeter and area for each trapezium.

1.



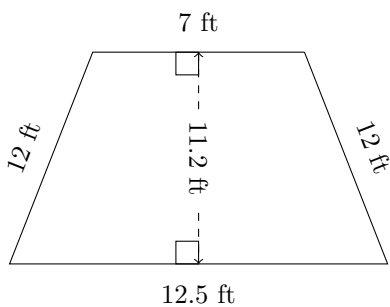
P = ?
A = ?

2.



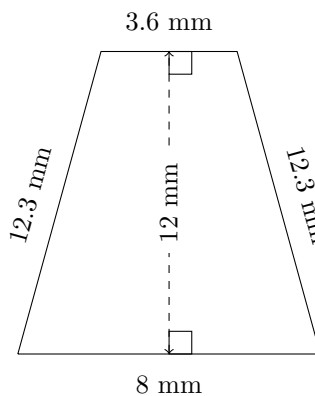
P = ?
A = ?

3.



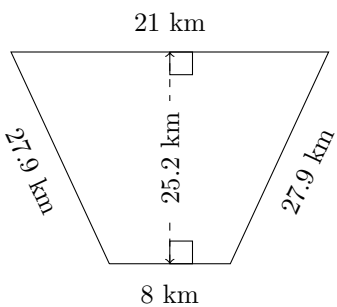
P = ?
A = ?

4.



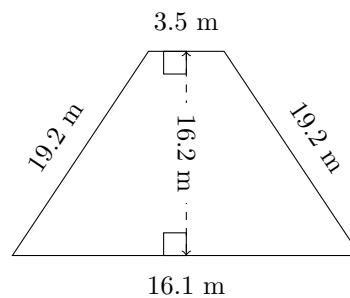
P = ?
A = ?

5.



P = ?
A = ?

6.

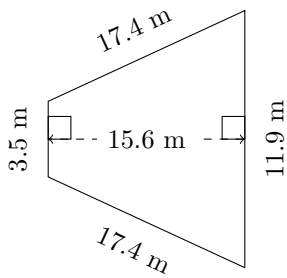


P = ?
A = ?

Area and Perimeter of Trapeziums (E) Answers

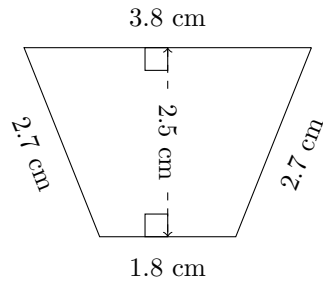
Calculate the perimeter and area for each trapezium.

1.



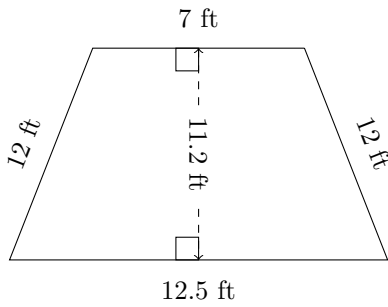
$P = 50.2 \text{ m}$
 $A = 120.12 \text{ m}^2$

2.



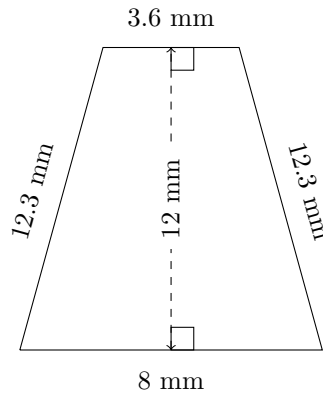
$P = 11 \text{ cm}$
 $A = 7 \text{ cm}^2$

3.



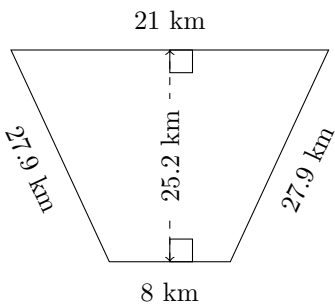
$P = 43.5 \text{ ft}$
 $A = 109.2 \text{ ft}^2$

4.



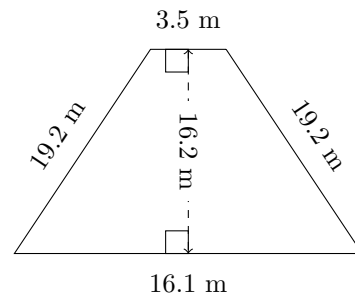
$P = 36.2 \text{ mm}$
 $A = 69.6 \text{ mm}^2$

5.



$P = 84.8 \text{ km}$
 $A = 365.4 \text{ km}^2$

6.



$P = 58 \text{ m}$
 $A = 158.76 \text{ m}^2$