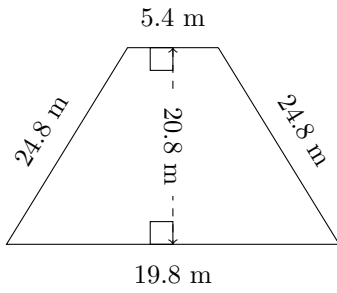


Area and Perimeter of Trapeziums (H)

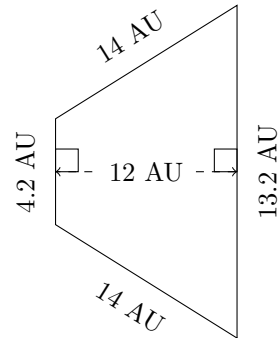
Calculate the perimeter and area for each trapezium.

1.



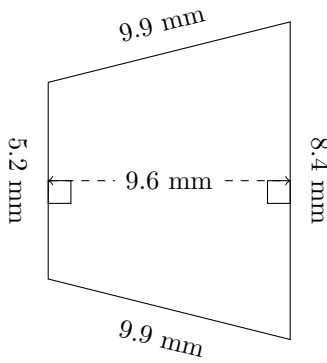
P = ?
A = ?

2.



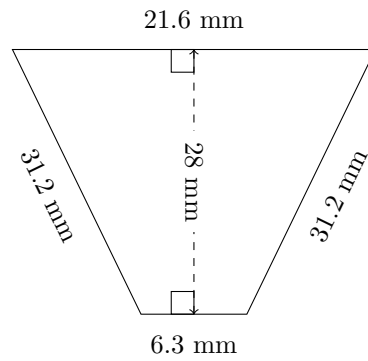
P = ?
A = ?

3.



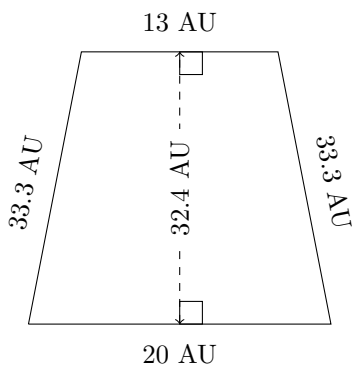
P = ?
A = ?

4.



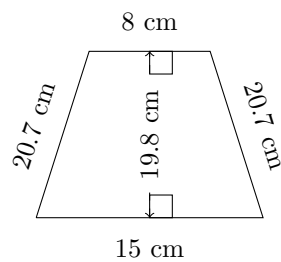
P = ?
A = ?

5.



P = ?
A = ?

6.

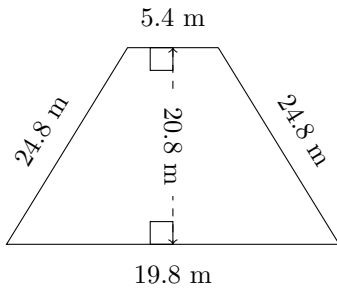


P = ?
A = ?

Area and Perimeter of Trapeziums (H) Answers

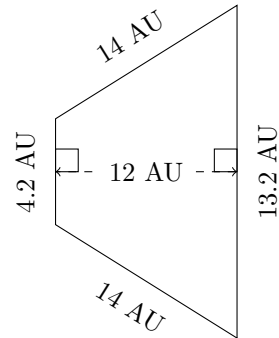
Calculate the perimeter and area for each trapezium.

1.



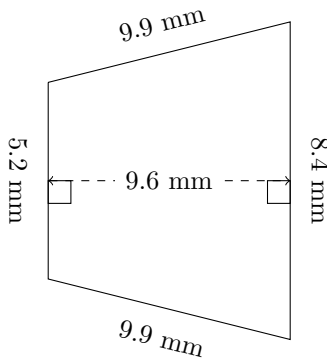
$P = 74.8 \text{ m}$
 $A = 262.08 \text{ m}^2$

2.



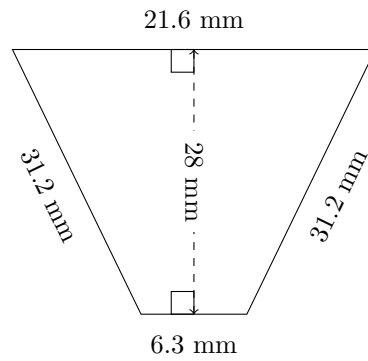
$P = 45.4 \text{ AU}$
 $A = 104.4 \text{ AU}^2$

3.



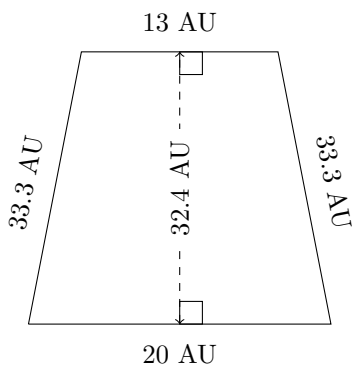
$P = 33.4 \text{ mm}$
 $A = 65.28 \text{ mm}^2$

4.



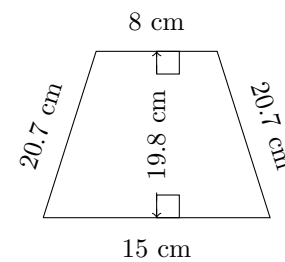
$P = 90.3 \text{ mm}$
 $A = 390.6 \text{ mm}^2$

5.



$P = 99.6 \text{ AU}$
 $A = 534.6 \text{ AU}^2$

6.



$P = 64.4 \text{ cm}$
 $A = 227.7 \text{ cm}^2$