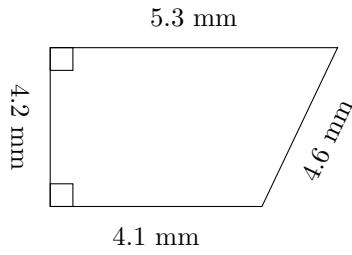


# Area and Perimeter of Trapeziums (D)

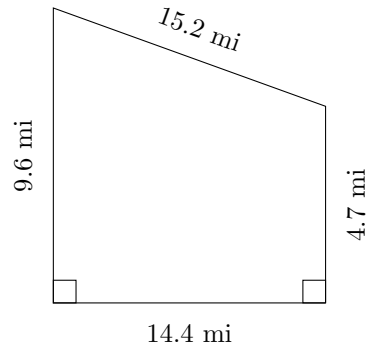
Calculate the perimeter and area for each trapezium.

1.



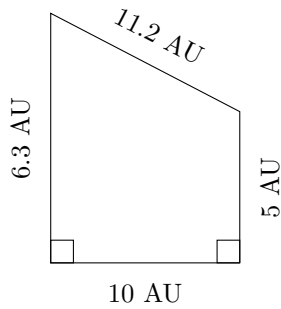
P = ?  
A = ?

2.



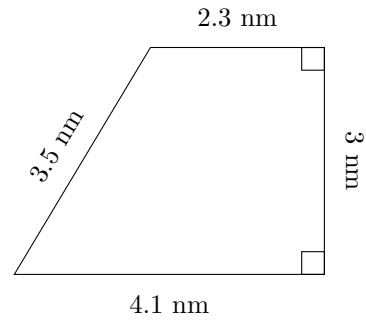
P = ?  
A = ?

3.



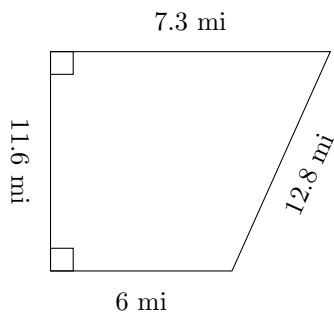
P = ?  
A = ?

4.



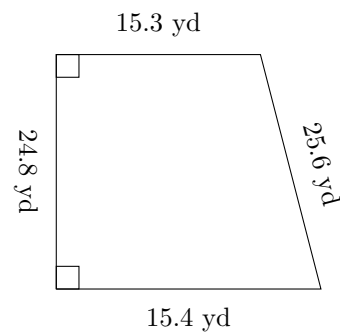
P = ?  
A = ?

5.



P = ?  
A = ?

6.

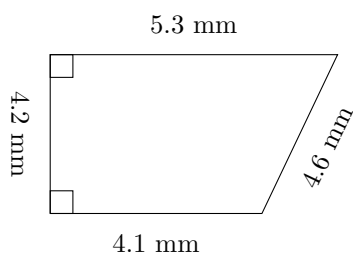


P = ?  
A = ?

# Area and Perimeter of Trapeziums (D) Answers

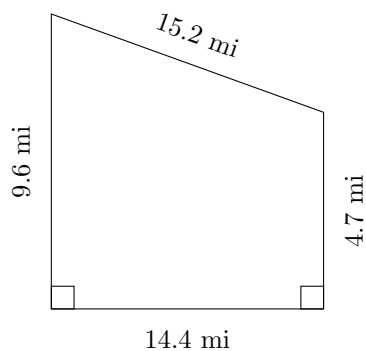
Calculate the perimeter and area for each trapezium.

1.



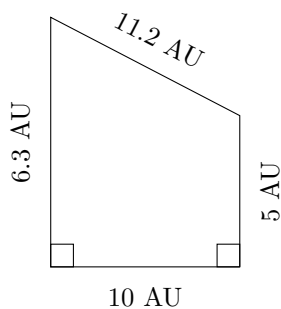
$$P = 18.2 \text{ mm}$$
$$A = 19.74 \text{ mm}^2$$

2.



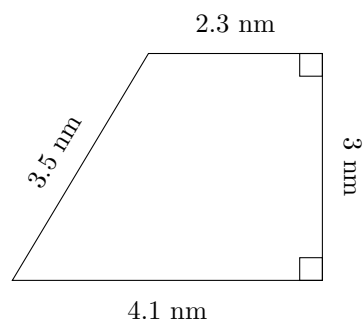
$$P = 43.9 \text{ mi}$$
$$A = 102.96 \text{ mi}^2$$

3.



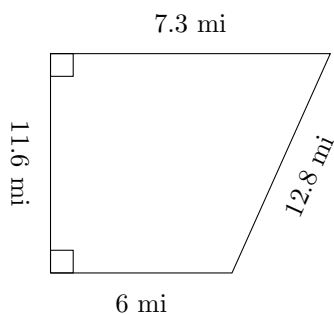
$$P = 32.5 \text{ AU}$$
$$A = 56.5 \text{ AU}^2$$

4.



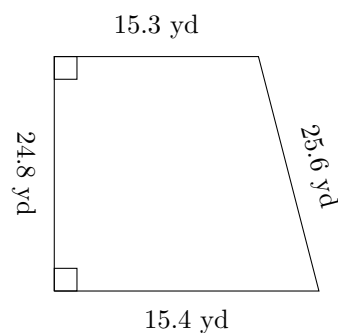
$$P = 12.9 \text{ nm}$$
$$A = 9.6 \text{ nm}^2$$

5.



$$P = 37.7 \text{ mi}$$
$$A = 77.14 \text{ mi}^2$$

6.



$$P = 81.1 \text{ yd}$$
$$A = 380.68 \text{ yd}^2$$