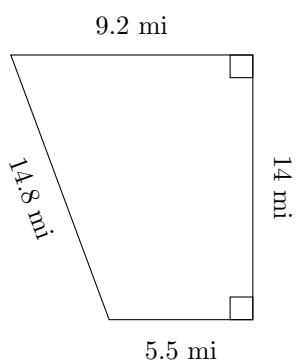


Area and Perimeter of Trapeziums (E)

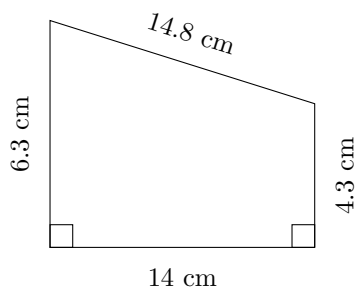
Calculate the perimeter and area for each trapezium.

1.



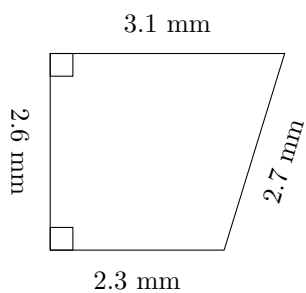
P = ?
A = ?

2.



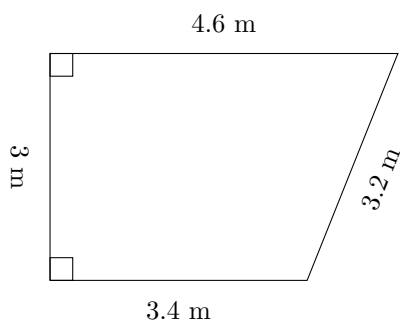
P = ?
A = ?

3.



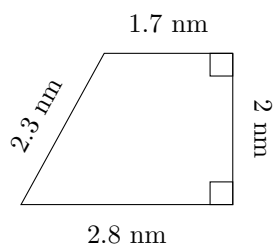
P = ?
A = ?

4.



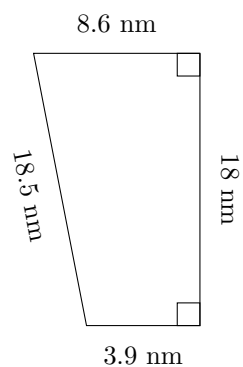
P = ?
A = ?

5.



P = ?
A = ?

6.

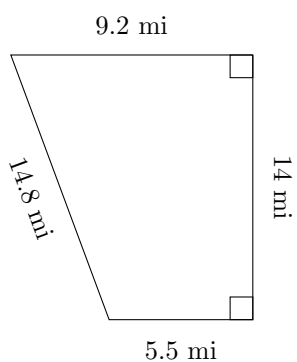


P = ?
A = ?

Area and Perimeter of Trapeziums (E) Answers

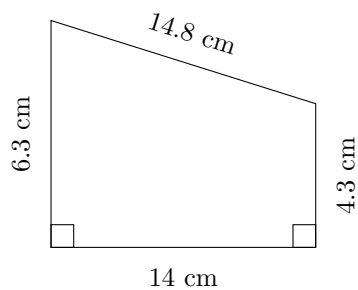
Calculate the perimeter and area for each trapezium.

1.



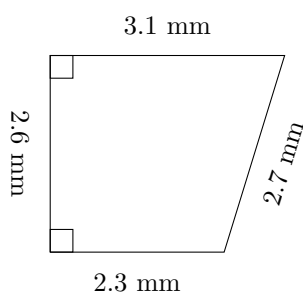
$$P = 43.5 \text{ mi}$$
$$A = 102.9 \text{ mi}^2$$

2.



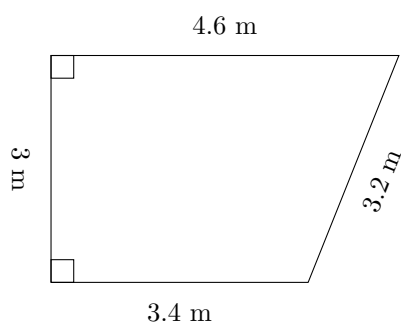
$$P = 39.4 \text{ cm}$$
$$A = 74.2 \text{ cm}^2$$

3.



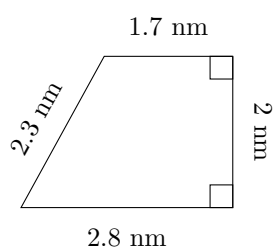
$$P = 10.7 \text{ mm}$$
$$A = 7.02 \text{ mm}^2$$

4.



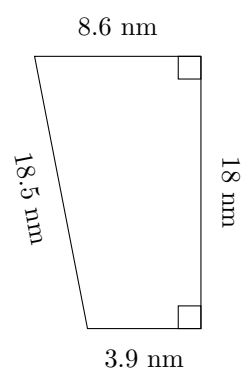
$$P = 14.2 \text{ m}$$
$$A = 12 \text{ m}^2$$

5.



$$P = 8.8 \text{ nm}$$
$$A = 4.5 \text{ nm}^2$$

6.



$$P = 49 \text{ nm}$$
$$A = 112.5 \text{ nm}^2$$