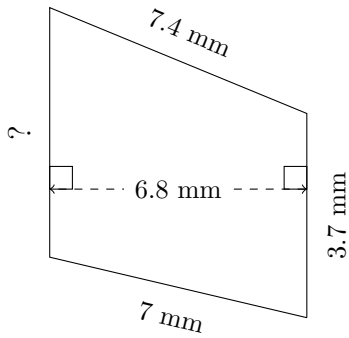


Trapezium Measurements (A)

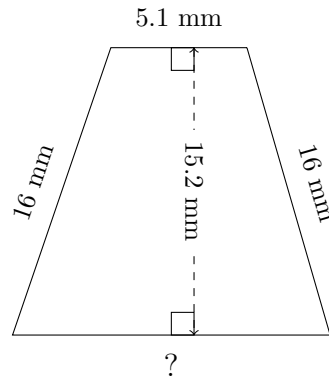
Calculate the missing measurements for each trapezium.

1.



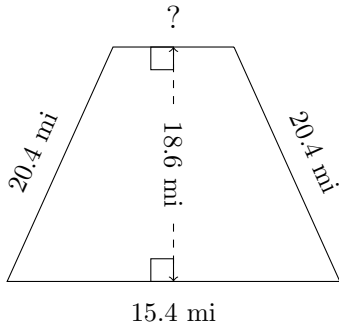
$P = 22.3 \text{ mm}$
 $A = ?$

2.



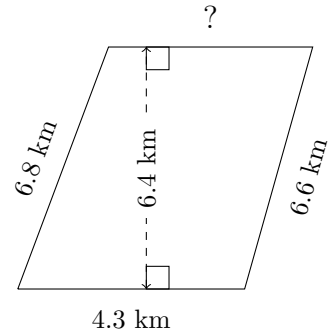
$P = 46.7 \text{ mm}$
 $A = ?$

3.



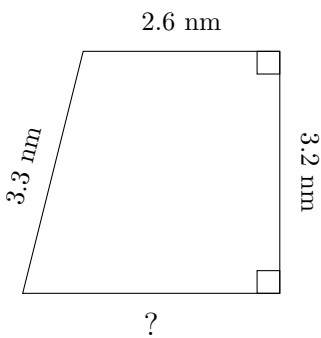
$P = 61.8 \text{ mi}$
 $A = ?$

4.



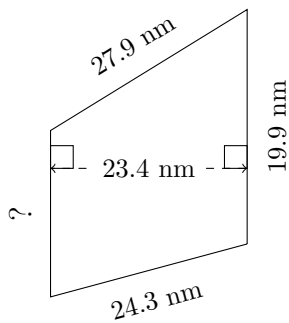
$P = 20.9 \text{ km}$
 $A = ?$

5.



$P = 12.5 \text{ nm}$
 $A = ?$

6.



$P = 87.9 \text{ nm}$
 $A = ?$