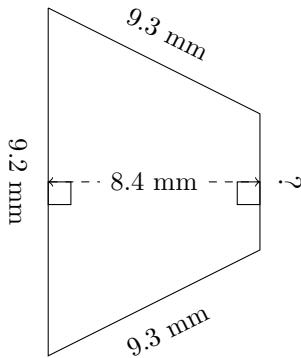


# Trapezium Measurements (C)

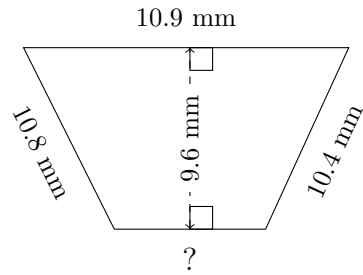
Calculate the missing measurements for each trapezium.

1.



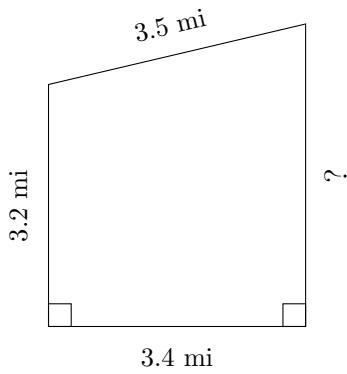
$P = 31.4 \text{ mm}$   
 $A = ?$

2.



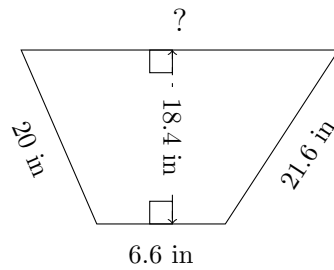
$P = 37.1 \text{ mm}$   
 $A = ?$

3.



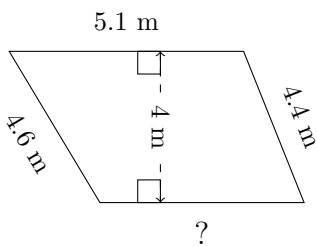
$P = 14.1 \text{ mi}$   
 $A = ?$

4.



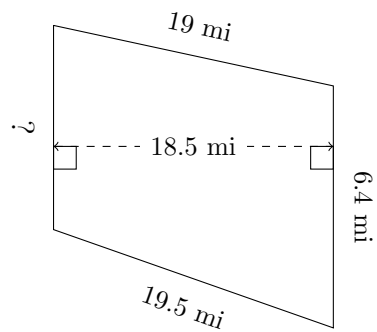
$P = 66.4 \text{ in}$   
 $A = ?$

5.



$P = 18.7 \text{ m}$   
 $A = ?$

6.

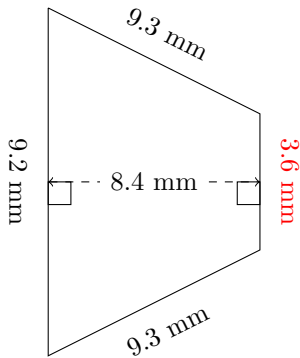


$P = 52 \text{ mi}$   
 $A = ?$

# Trapezium Measurements (C) Answers

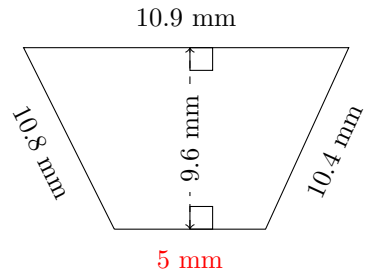
Calculate the missing measurements for each trapezium.

1.



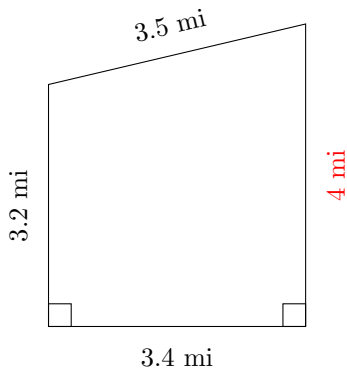
$P = 31.4 \text{ mm}$   
 $A = 53.76 \text{ mm}^2$

2.



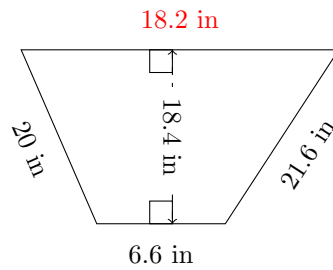
$P = 37.1 \text{ mm}$   
 $A = 76.32 \text{ mm}^2$

3.



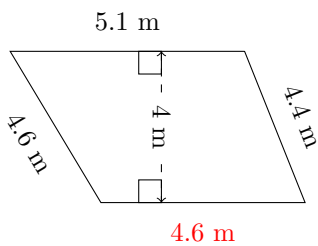
$P = 14.1 \text{ mi}$   
 $A = 12.24 \text{ mi}^2$

4.



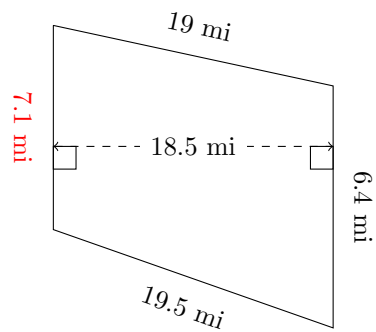
$P = 66.4 \text{ in}$   
 $A = 228.16 \text{ in}^2$

5.



$P = 18.7 \text{ m}$   
 $A = 19.4 \text{ m}^2$

6.



$P = 52 \text{ mi}$   
 $A = 124.875 \text{ mi}^2$