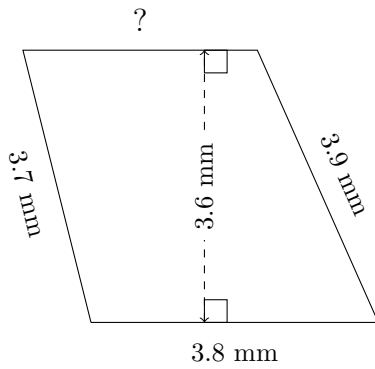


Trapezium Measurements (D)

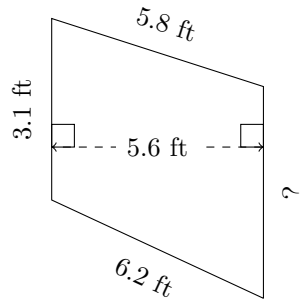
Calculate the missing measurements for each trapezium.

1.



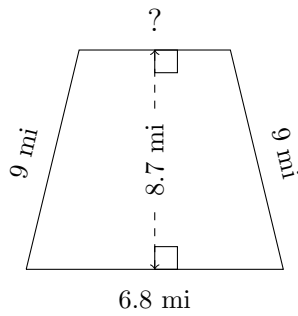
$P = 14.5 \text{ mm}$
 $A = ?$

2.



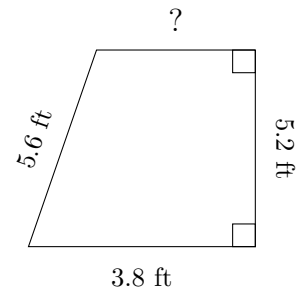
$P = 18.7 \text{ ft}$
 $A = ?$

3.



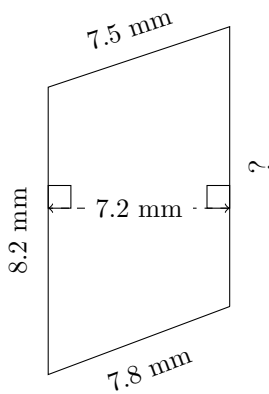
$P = 28.8 \text{ mi}$
 $A = ?$

4.



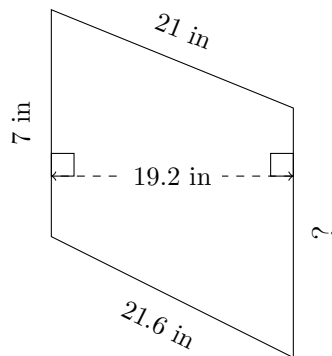
$P = 18 \text{ ft}$
 $A = ?$

5.



$P = 32 \text{ mm}$
 $A = ?$

6.

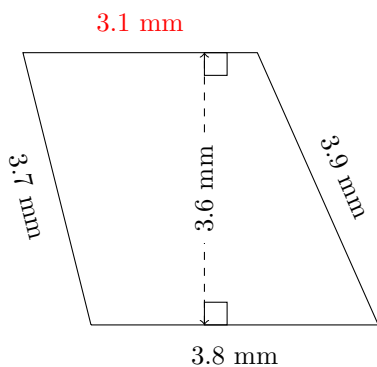


$P = 57.4 \text{ in}$
 $A = ?$

Trapezium Measurements (D) Answers

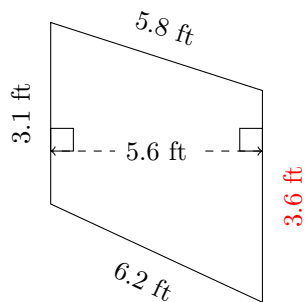
Calculate the missing measurements for each trapezium.

1.



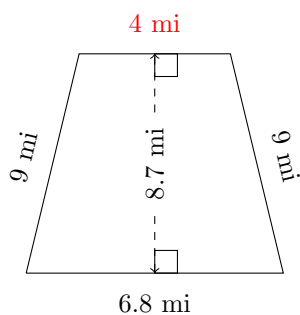
$P = 14.5 \text{ mm}$
 $A = 12.42 \text{ mm}^2$

2.



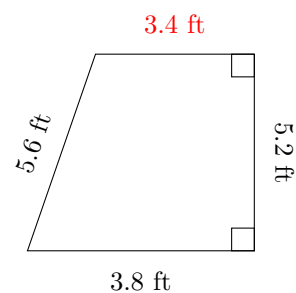
$P = 18.7 \text{ ft}$
 $A = 18.76 \text{ ft}^2$

3.



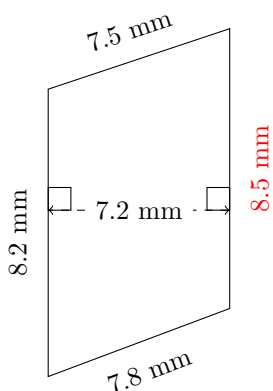
$P = 28.8 \text{ mi}$
 $A = 46.98 \text{ mi}^2$

4.



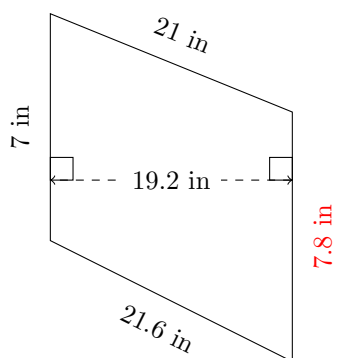
$P = 18 \text{ ft}$
 $A = 18.72 \text{ ft}^2$

5.



$P = 32 \text{ mm}$
 $A = 60.12 \text{ mm}^2$

6.



$P = 57.4 \text{ in}$
 $A = 142.08 \text{ in}^2$