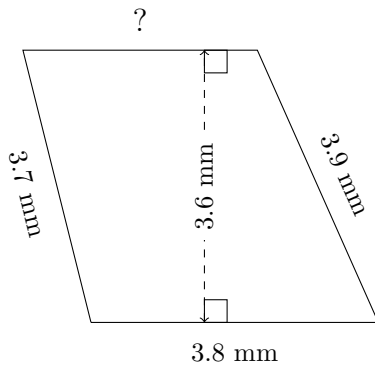


Trapezium Measurements (D)

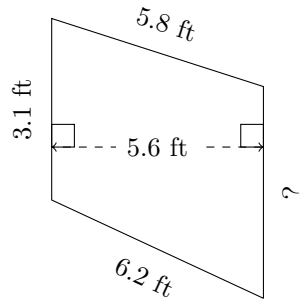
Calculate the missing measurements for each trapezium.

1.



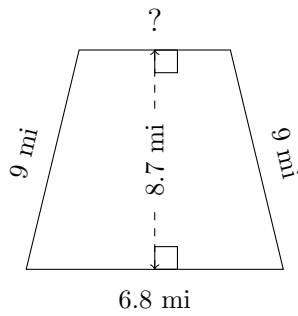
$P = 14.5 \text{ mm}$
 $A = ?$

2.



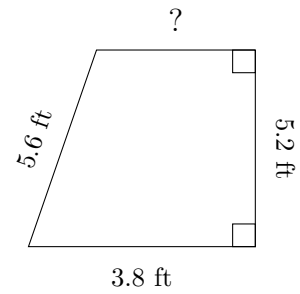
$P = 18.7 \text{ ft}$
 $A = ?$

3.



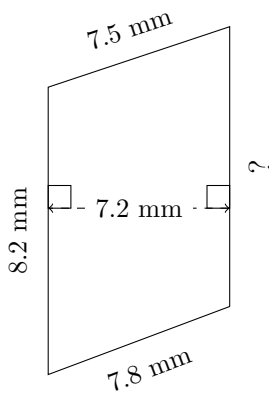
$P = 28.8 \text{ mi}$
 $A = ?$

4.



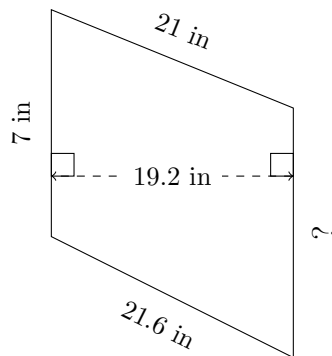
$P = 18 \text{ ft}$
 $A = ?$

5.



$P = 32 \text{ mm}$
 $A = ?$

6.



$P = 57.4 \text{ in}$
 $A = ?$