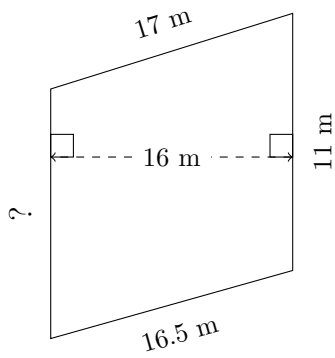


Trapezium Measurements (E)

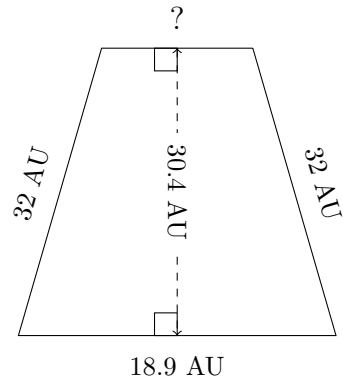
Calculate the missing measurements for each trapezium.

1.



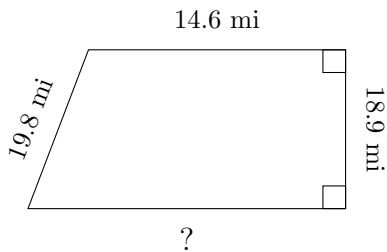
$P = 57.4 \text{ m}$
 $A = ?$

2.



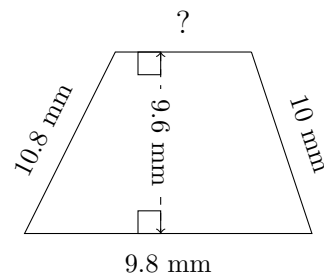
$P = 91.9 \text{ AU}$
 $A = ?$

3.



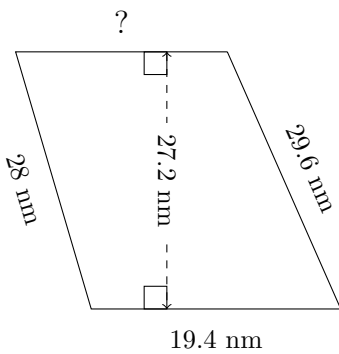
$P = 73.5 \text{ mi}$
 $A = ?$

4.



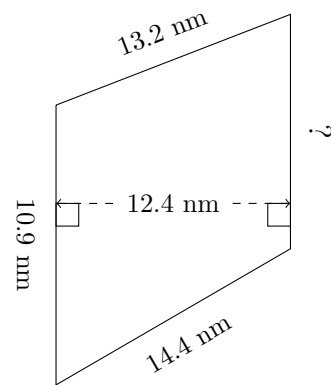
$P = 34.2 \text{ mm}$
 $A = ?$

5.



$P = 93.8 \text{ nm}$
 $A = ?$

6.

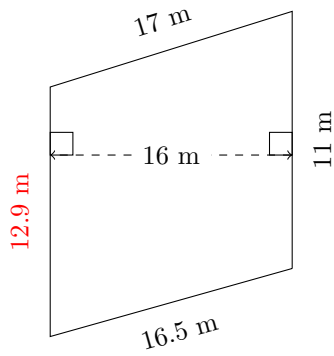


$P = 49.1 \text{ nm}$
 $A = ?$

Trapezium Measurements (E) Answers

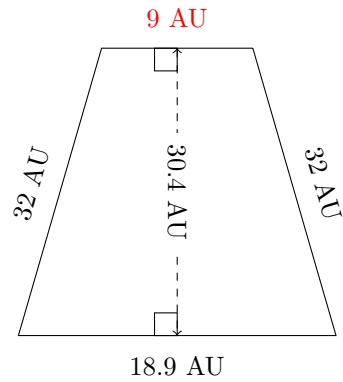
Calculate the missing measurements for each trapezium.

1.



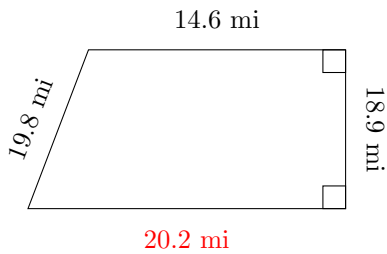
$P = 57.4 \text{ m}$
 $A = 191.2 \text{ m}^2$

2.



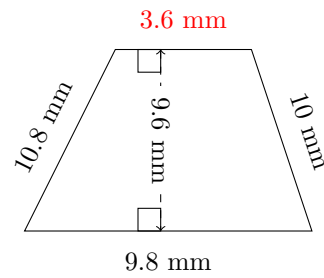
$P = 91.9 \text{ AU}$
 $A = 424.08 \text{ AU}^2$

3.



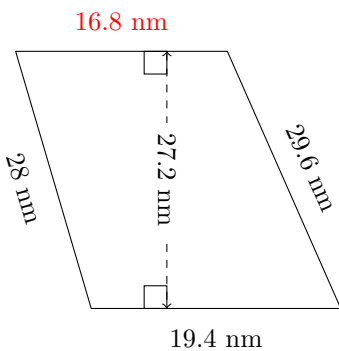
$P = 73.5 \text{ mi}$
 $A = 328.86 \text{ mi}^2$

4.



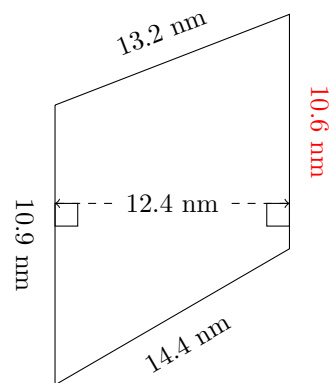
$P = 34.2 \text{ mm}$
 $A = 64.32 \text{ mm}^2$

5.



$P = 93.8 \text{ nm}$
 $A = 492.32 \text{ nm}^2$

6.



$P = 49.1 \text{ nm}$
 $A = 133.3 \text{ nm}^2$