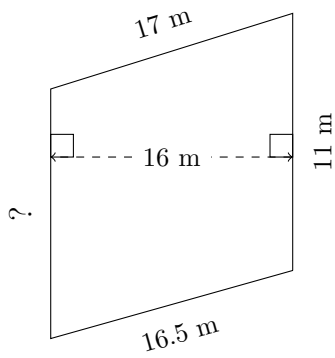


# Trapezium Measurements (E)

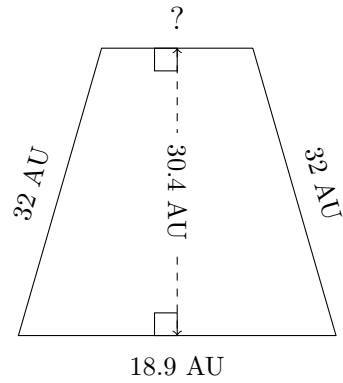
Calculate the missing measurements for each trapezium.

1.



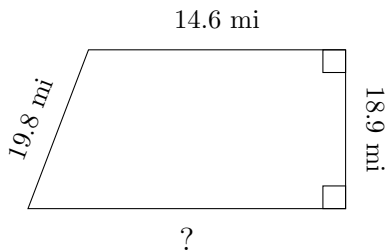
$P = 57.4 \text{ m}$   
 $A = ?$

2.



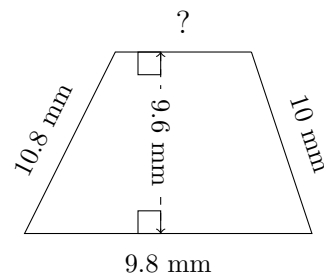
$P = 91.9 \text{ AU}$   
 $A = ?$

3.



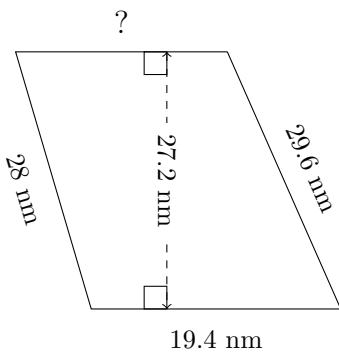
$P = 73.5 \text{ mi}$   
 $A = ?$

4.



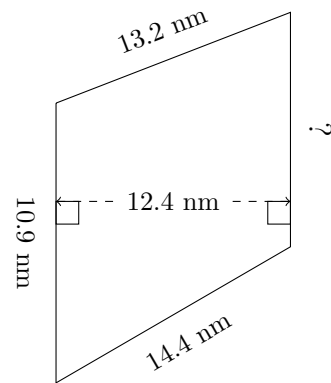
$P = 34.2 \text{ mm}$   
 $A = ?$

5.



$P = 93.8 \text{ nm}$   
 $A = ?$

6.



$P = 49.1 \text{ nm}$   
 $A = ?$