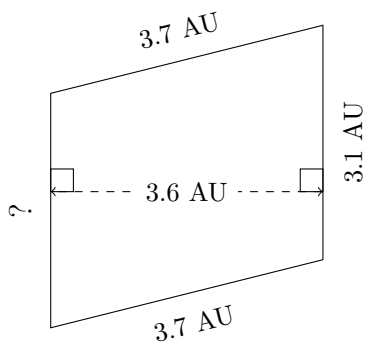


Trapezium Measurements (F)

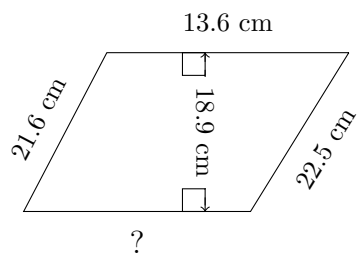
Calculate the missing measurements for each trapezium.

1.



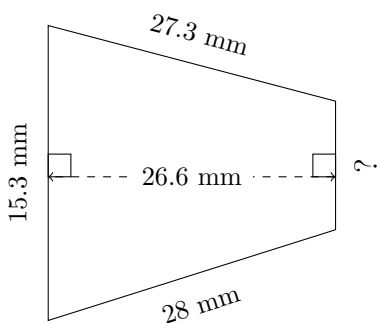
$P = 13.6 \text{ AU}$
 $A = ?$

2.



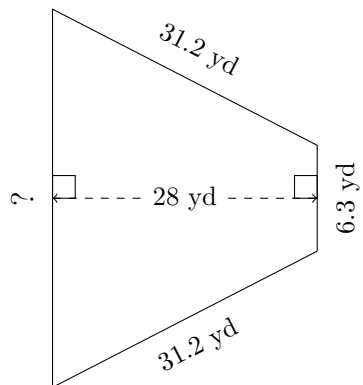
$P = 65.5 \text{ cm}$
 $A = ?$

3.



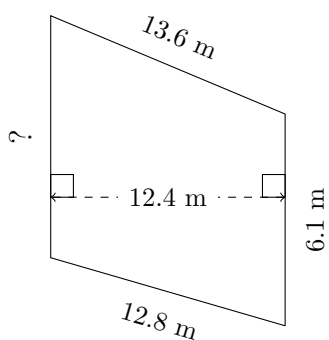
$P = 78.3 \text{ mm}$
 $A = ?$

4.



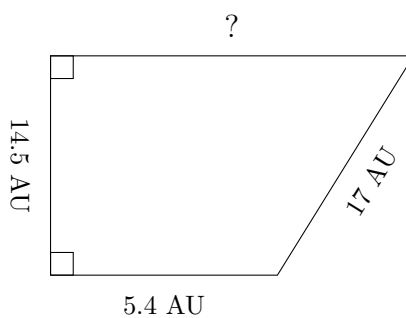
$P = 91.2 \text{ yd}$
 $A = ?$

5.



$P = 38.1 \text{ m}$
 $A = ?$

6.

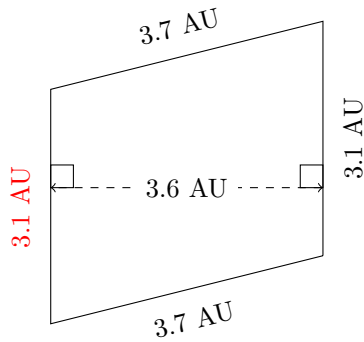


$P = 51.3 \text{ AU}$
 $A = ?$

Trapezium Measurements (F) Answers

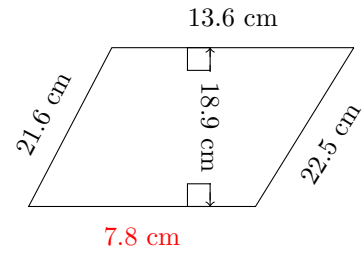
Calculate the missing measurements for each trapezium.

1.



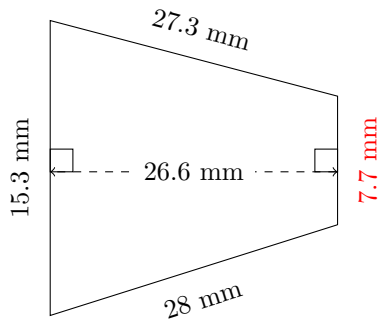
$P = 13.6 \text{ AU}$
 $A = 11.16 \text{ AU}^2$

2.



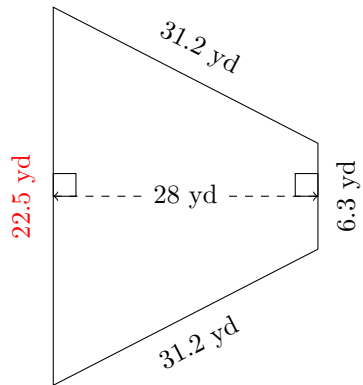
$P = 65.5 \text{ cm}$
 $A = 202.23 \text{ cm}^2$

3.



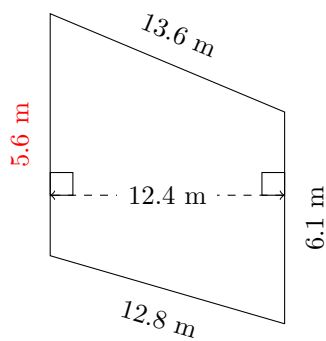
$P = 78.3 \text{ mm}$
 $A = 305.9 \text{ mm}^2$

4.



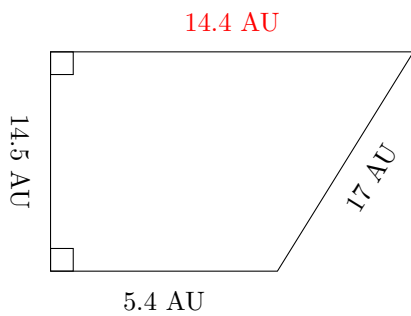
$P = 91.2 \text{ yd}$
 $A = 403.2 \text{ yd}^2$

5.



$P = 38.1 \text{ m}$
 $A = 72.54 \text{ m}^2$

6.



$P = 51.3 \text{ AU}$
 $A = 143.55 \text{ AU}^2$