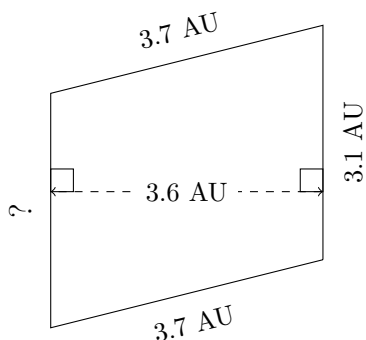


# Trapezium Measurements (F)

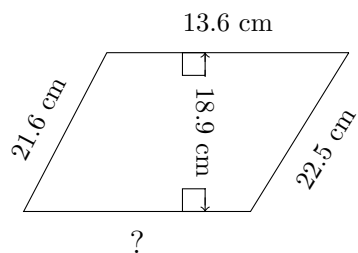
Calculate the missing measurements for each trapezium.

1.



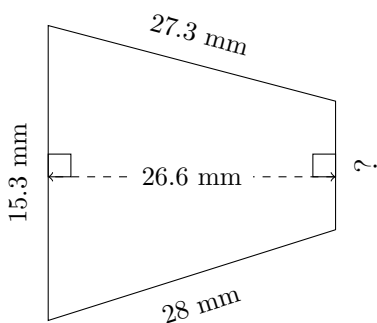
$P = 13.6 \text{ AU}$   
 $A = ?$

2.



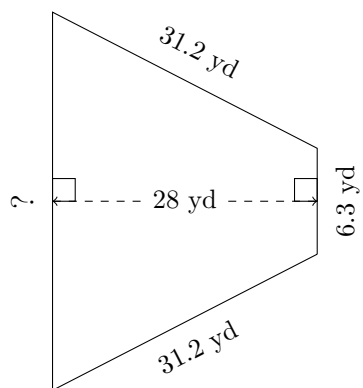
$P = 65.5 \text{ cm}$   
 $A = ?$

3.



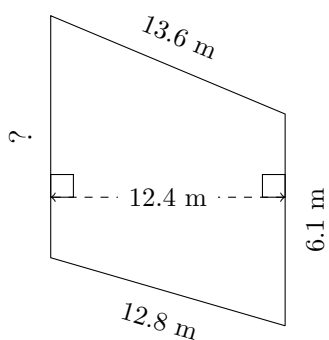
$P = 78.3 \text{ mm}$   
 $A = ?$

4.



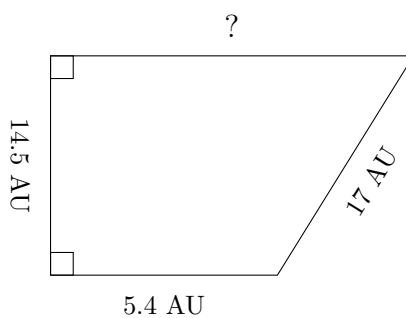
$P = 91.2 \text{ yd}$   
 $A = ?$

5.



$P = 38.1 \text{ m}$   
 $A = ?$

6.



$P = 51.3 \text{ AU}$   
 $A = ?$