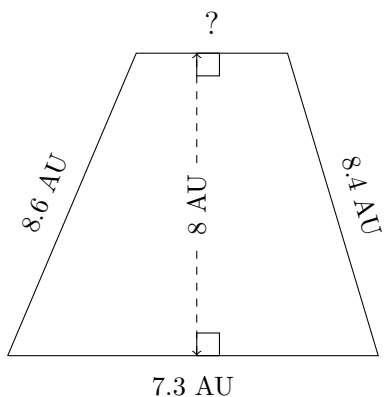


Trapezium Measurements (G)

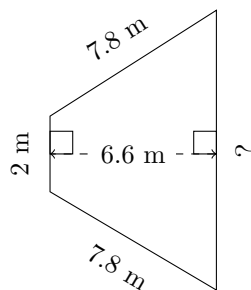
Calculate the missing measurements for each trapezium.

1.



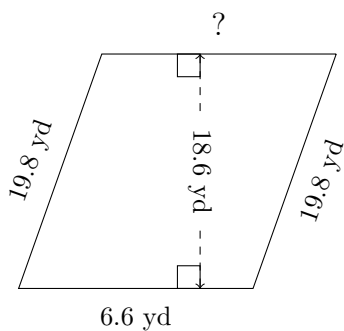
$P = 27.1 \text{ AU}$
 $A = ?$

2.



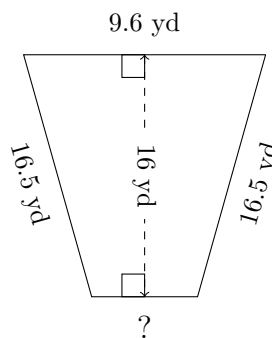
$P = 25.1 \text{ m}$
 $A = ?$

3.



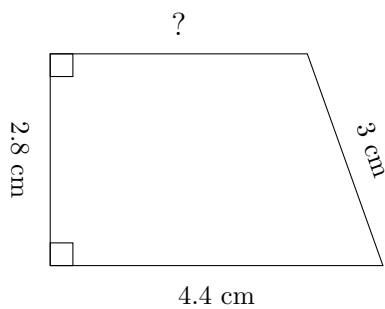
$P = 55.8 \text{ yd}$
 $A = ?$

4.



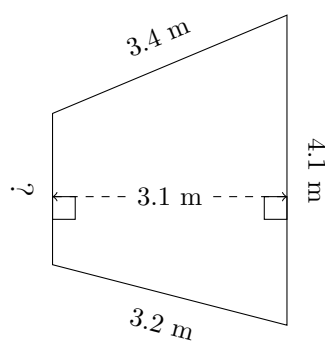
$P = 46.8 \text{ yd}$
 $A = ?$

5.



$P = 13.6 \text{ cm}$
 $A = ?$

6.

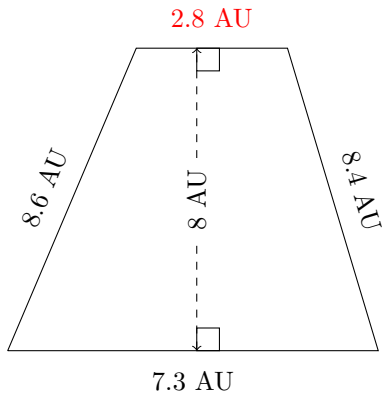


$P = 12.7 \text{ m}$
 $A = ?$

Trapezium Measurements (G) Answers

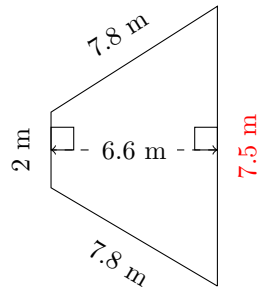
Calculate the missing measurements for each trapezium.

1.



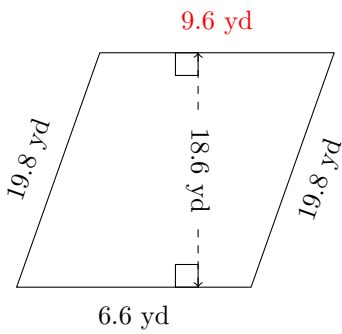
$P = 27.1 \text{ AU}$
 $A = 40.4 \text{ AU}^2$

2.



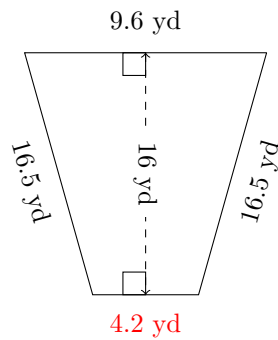
$P = 25.1 \text{ m}$
 $A = 31.35 \text{ m}^2$

3.



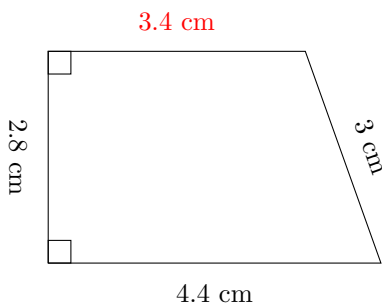
$P = 55.8 \text{ yd}$
 $A = 150.66 \text{ yd}^2$

4.



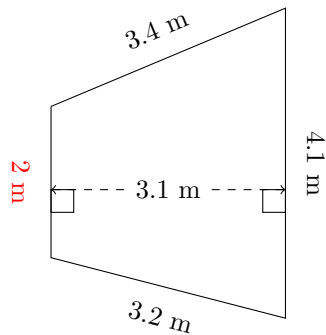
$P = 46.8 \text{ yd}$
 $A = 110.4 \text{ yd}^2$

5.



$P = 13.6 \text{ cm}$
 $A = 10.92 \text{ cm}^2$

6.



$P = 12.7 \text{ m}$
 $A = 9.455 \text{ m}^2$