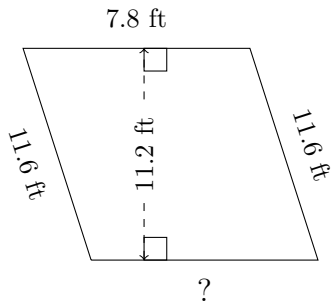


Trapezium Measurements (H)

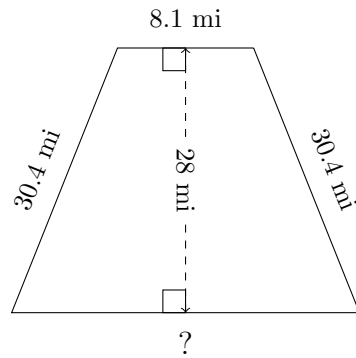
Calculate the missing measurements for each trapezium.

1.



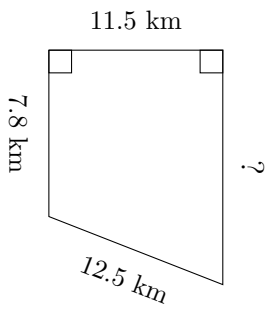
$P = 40.9 \text{ ft}$
 $A = ?$

2.



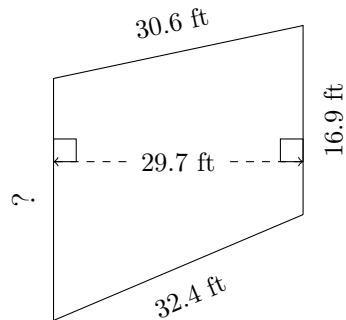
$P = 89.6 \text{ mi}$
 $A = ?$

3.



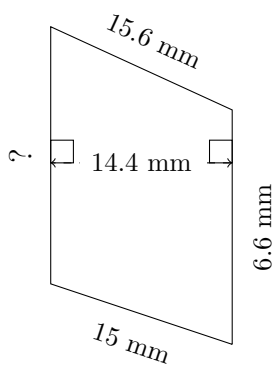
$P = 38.1 \text{ km}$
 $A = ?$

4.



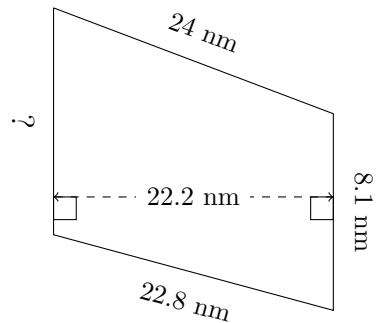
$P = 99.9 \text{ ft}$
 $A = ?$

5.



$P = 48.6 \text{ mm}$
 $A = ?$

6.



$P = 60.4 \text{ nm}$
 $A = ?$