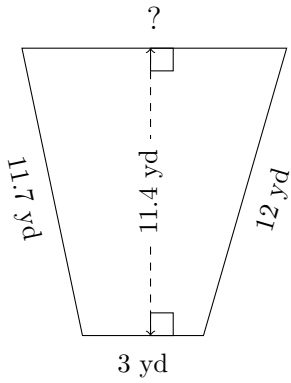


# Trapezium Measurements (J)

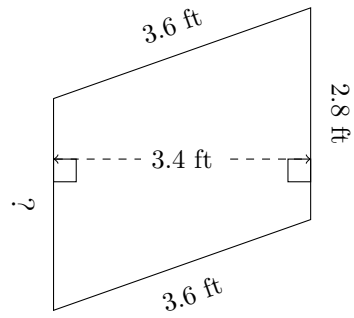
Calculate the missing measurements for each trapezium.

1.



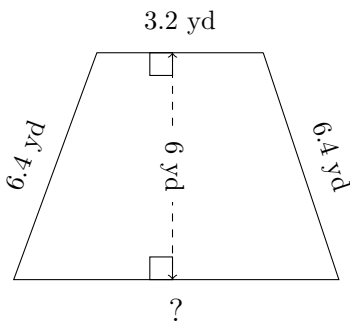
$P = 33.6 \text{ yd}$   
 $A = ?$

2.



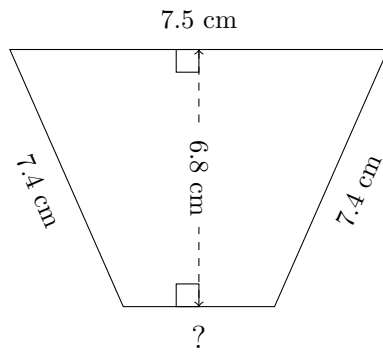
$P = 12.8 \text{ ft}$   
 $A = ?$

3.



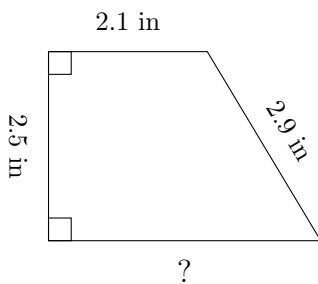
$P = 22.5 \text{ yd}$   
 $A = ?$

4.



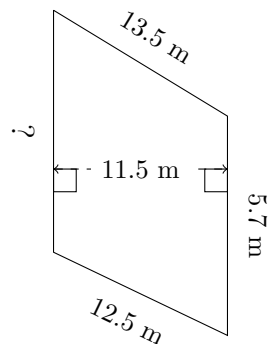
$P = 25.3 \text{ cm}$   
 $A = ?$

5.



$P = 11.1 \text{ in}$   
 $A = ?$

6.

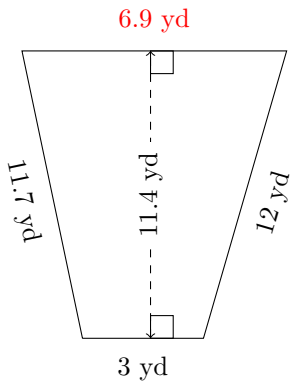


$P = 39.3 \text{ m}$   
 $A = ?$

# Trapezium Measurements (J) Answers

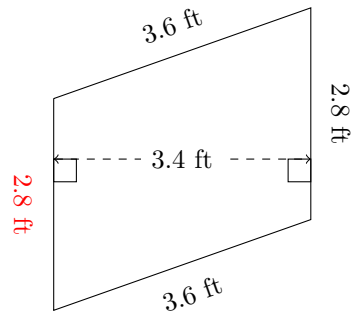
Calculate the missing measurements for each trapezium.

1.



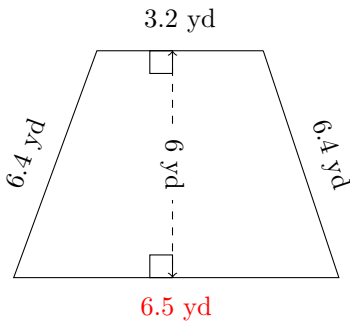
$P = 33.6 \text{ yd}$   
 $A = 56.43 \text{ yd}^2$

2.



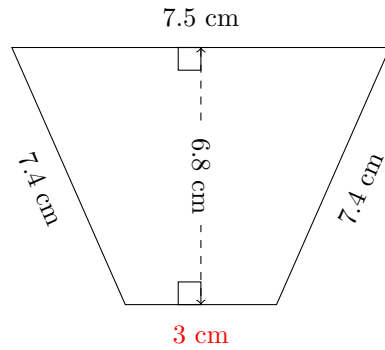
$P = 12.8 \text{ ft}$   
 $A = 9.52 \text{ ft}^2$

3.



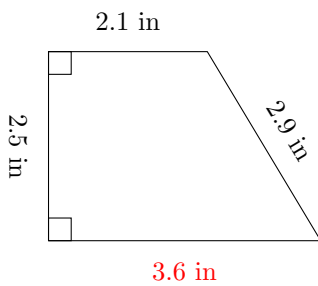
$P = 22.5 \text{ yd}$   
 $A = 29.1 \text{ yd}^2$

4.



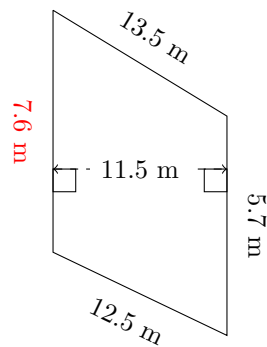
$P = 25.3 \text{ cm}$   
 $A = 35.7 \text{ cm}^2$

5.



$P = 11.1 \text{ in}$   
 $A = 7.125 \text{ in}^2$

6.



$P = 39.3 \text{ m}$   
 $A = 76.475 \text{ m}^2$