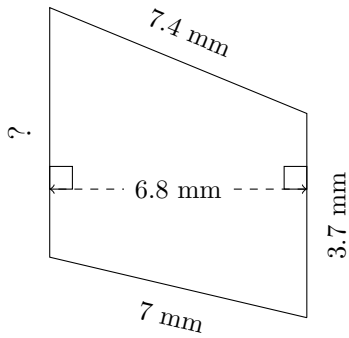


Trapezium Measurements (A)

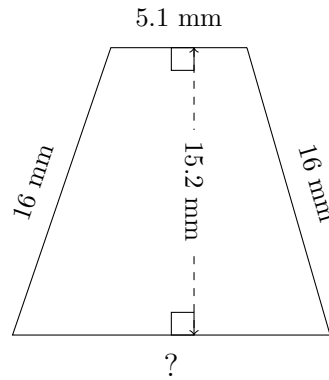
Calculate the missing measurements for each trapezium.

1.



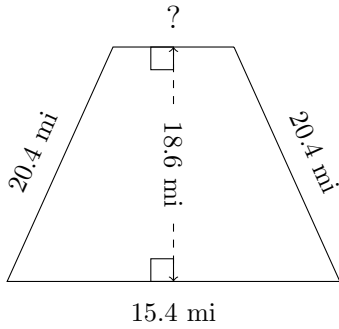
$P = 22.3 \text{ mm}$
 $A = ?$

2.



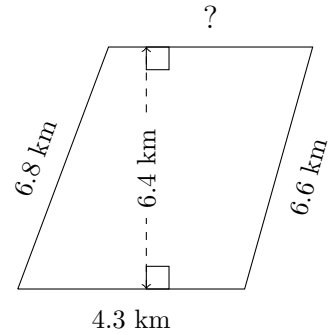
$P = 46.7 \text{ mm}$
 $A = ?$

3.



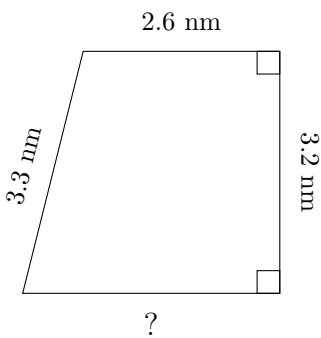
$P = 61.8 \text{ mi}$
 $A = ?$

4.



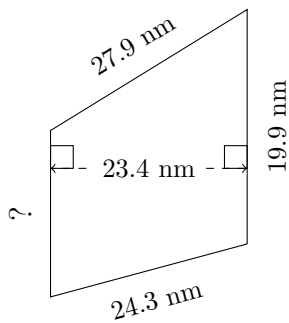
$P = 20.9 \text{ km}$
 $A = ?$

5.



$P = 12.5 \text{ nm}$
 $A = ?$

6.

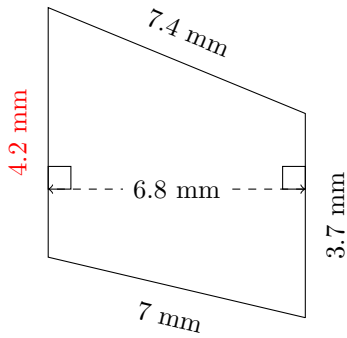


$P = 87.9 \text{ nm}$
 $A = ?$

Trapezium Measurements (A) Answers

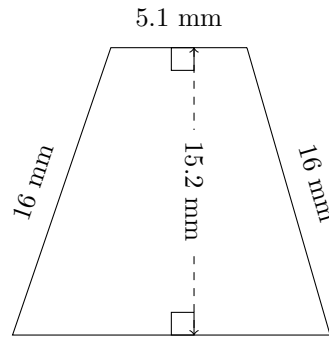
Calculate the missing measurements for each trapezium.

1.



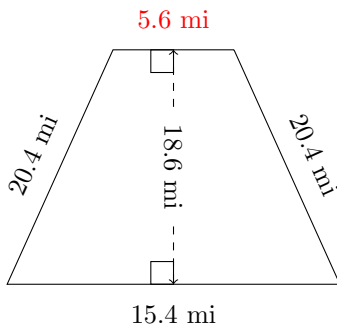
$P = 22.3 \text{ mm}$
 $A = 26.86 \text{ mm}^2$

2.



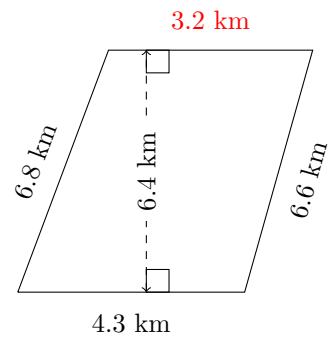
$P = 46.7 \text{ mm}$
 $A = 111.72 \text{ mm}^2$

3.



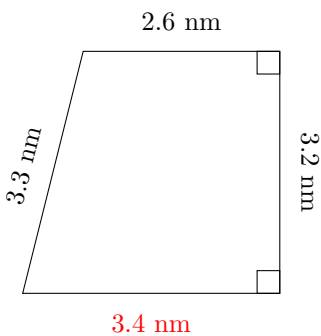
$P = 61.8 \text{ mi}$
 $A = 195.3 \text{ mi}^2$

4.



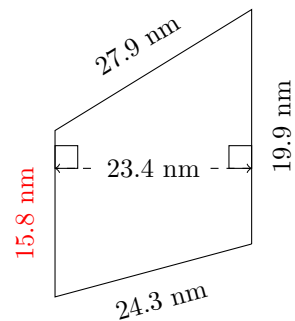
$P = 20.9 \text{ km}$
 $A = 24 \text{ km}^2$

5.



$P = 12.5 \text{ nm}$
 $A = 9.6 \text{ nm}^2$

6.

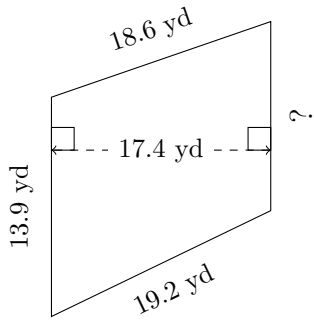


$P = 87.9 \text{ nm}$
 $A = 417.69 \text{ nm}^2$

Trapezium Measurements (B)

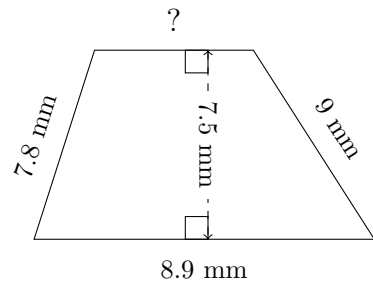
Calculate the missing measurements for each trapezium.

1.



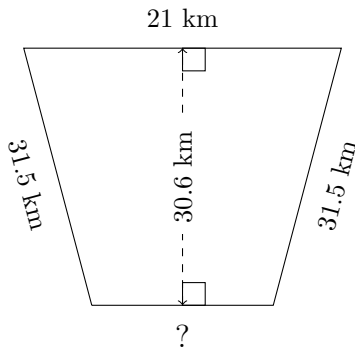
$P = 62.7$ yd
 $A = ?$

2.



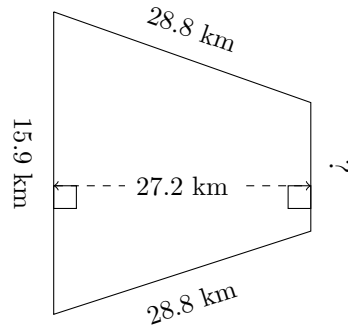
$P = 30.8$ mm
 $A = ?$

3.



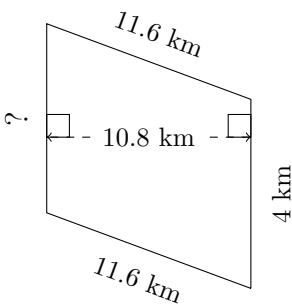
$P = 96$ km
 $A = ?$

4.



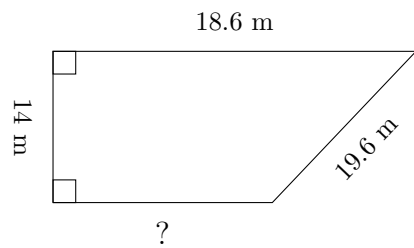
$P = 82.9$ km
 $A = ?$

5.



$P = 32.7$ km
 $A = ?$

6.

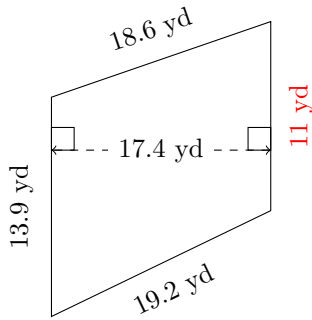


$P = 58.7$ m
 $A = ?$

Trapezium Measurements (B) Answers

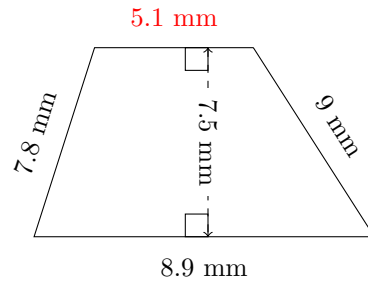
Calculate the missing measurements for each trapezium.

1.



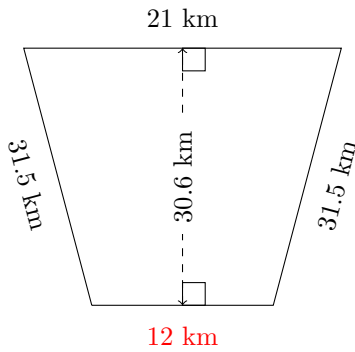
$P = 62.7 \text{ yd}$
 $A = 216.63 \text{ yd}^2$

2.



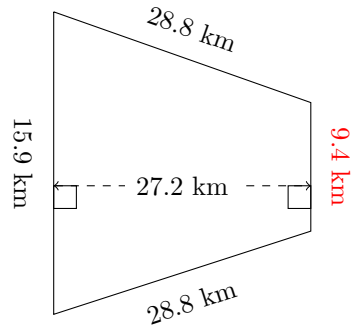
$P = 30.8 \text{ mm}$
 $A = 52.5 \text{ mm}^2$

3.



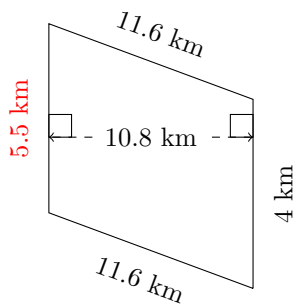
$P = 96 \text{ km}$
 $A = 504.9 \text{ km}^2$

4.



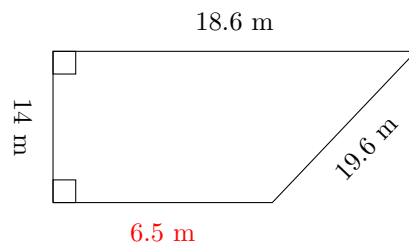
$P = 82.9 \text{ km}$
 $A = 344.08 \text{ km}^2$

5.



$P = 32.7 \text{ km}$
 $A = 51.3 \text{ km}^2$

6.

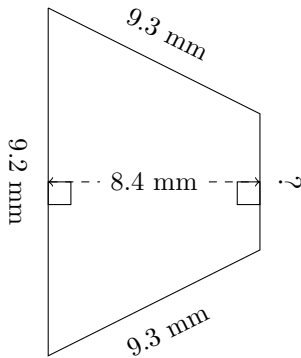


$P = 58.7 \text{ m}$
 $A = 175.7 \text{ m}^2$

Trapezium Measurements (C)

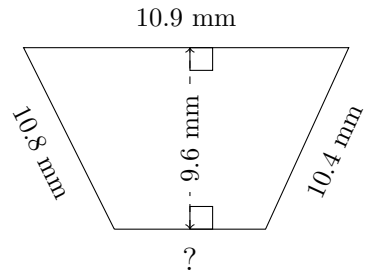
Calculate the missing measurements for each trapezium.

1.



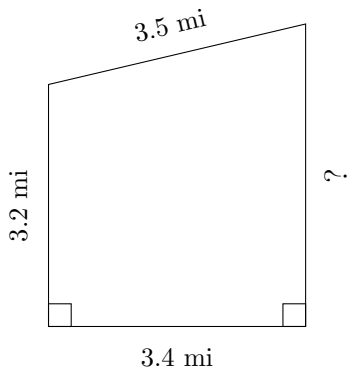
$P = 31.4 \text{ mm}$
 $A = ?$

2.



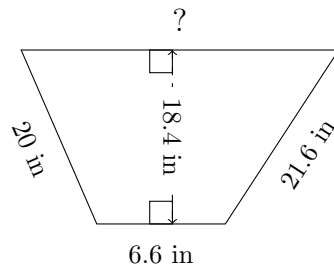
$P = 37.1 \text{ mm}$
 $A = ?$

3.



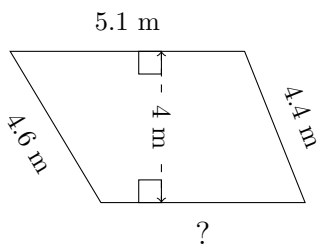
$P = 14.1 \text{ mi}$
 $A = ?$

4.



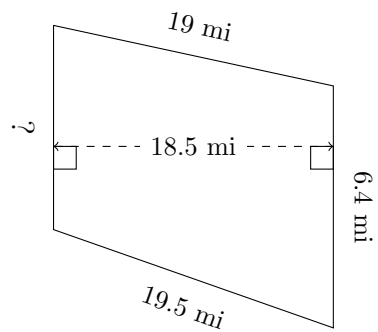
$P = 66.4 \text{ in}$
 $A = ?$

5.



$P = 18.7 \text{ m}$
 $A = ?$

6.

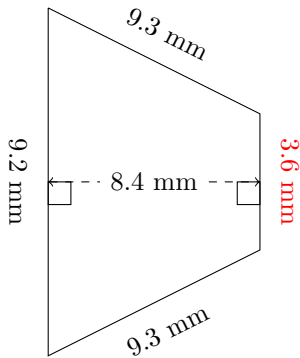


$P = 52 \text{ mi}$
 $A = ?$

Trapezium Measurements (C) Answers

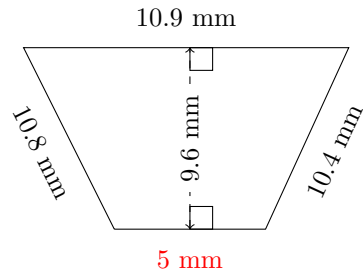
Calculate the missing measurements for each trapezium.

1.



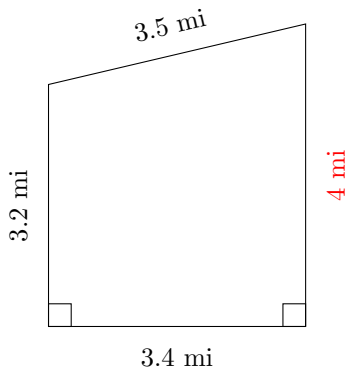
$P = 31.4 \text{ mm}$
 $A = 53.76 \text{ mm}^2$

2.



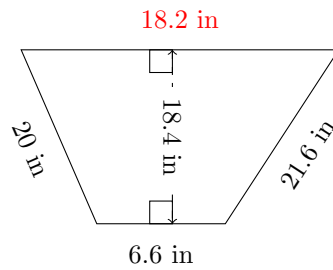
$P = 37.1 \text{ mm}$
 $A = 76.32 \text{ mm}^2$

3.



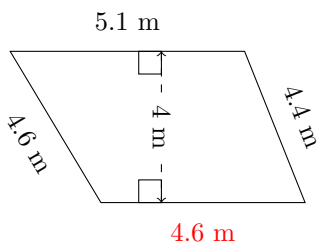
$P = 14.1 \text{ mi}$
 $A = 12.24 \text{ mi}^2$

4.



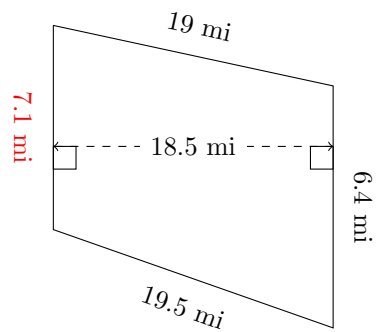
$P = 66.4 \text{ in}$
 $A = 228.16 \text{ in}^2$

5.



$P = 18.7 \text{ m}$
 $A = 19.4 \text{ m}^2$

6.

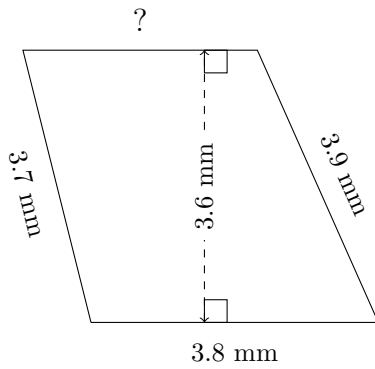


$P = 52 \text{ mi}$
 $A = 124.875 \text{ mi}^2$

Trapezium Measurements (D)

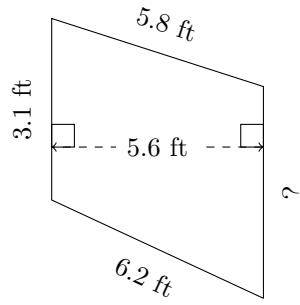
Calculate the missing measurements for each trapezium.

1.



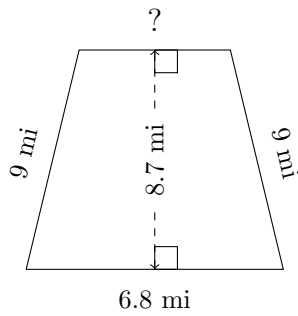
$P = 14.5 \text{ mm}$
 $A = ?$

2.



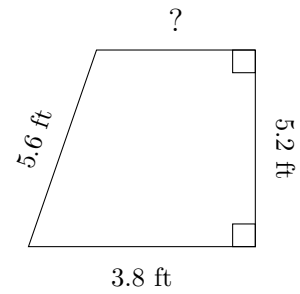
$P = 18.7 \text{ ft}$
 $A = ?$

3.



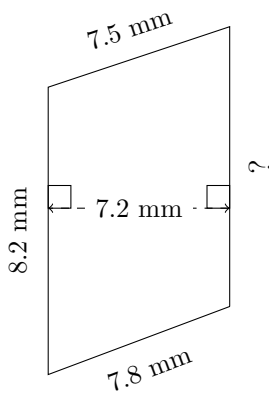
$P = 28.8 \text{ mi}$
 $A = ?$

4.



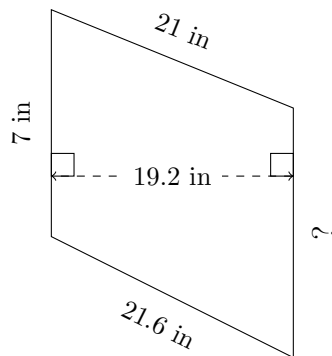
$P = 18 \text{ ft}$
 $A = ?$

5.



$P = 32 \text{ mm}$
 $A = ?$

6.

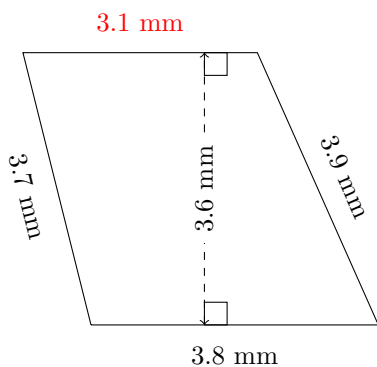


$P = 57.4 \text{ in}$
 $A = ?$

Trapezium Measurements (D) Answers

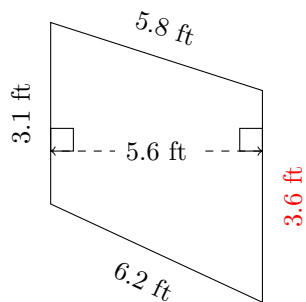
Calculate the missing measurements for each trapezium.

1.



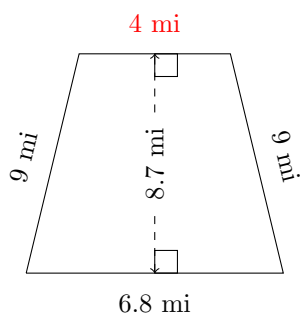
$P = 14.5 \text{ mm}$
 $A = 12.42 \text{ mm}^2$

2.



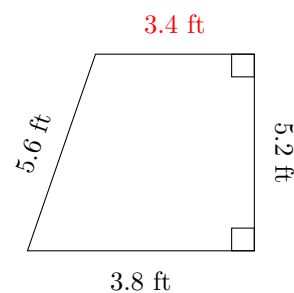
$P = 18.7 \text{ ft}$
 $A = 18.76 \text{ ft}^2$

3.



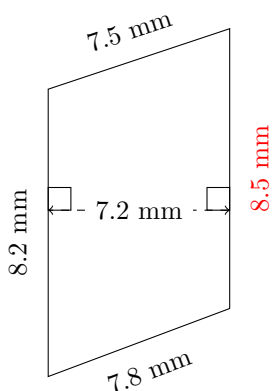
$P = 28.8 \text{ mi}$
 $A = 46.98 \text{ mi}^2$

4.



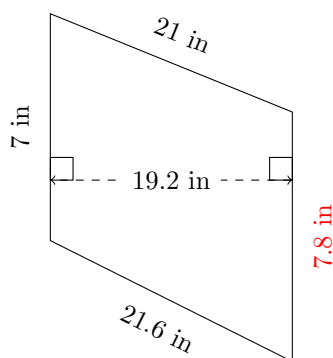
$P = 18 \text{ ft}$
 $A = 18.72 \text{ ft}^2$

5.



$P = 32 \text{ mm}$
 $A = 60.12 \text{ mm}^2$

6.

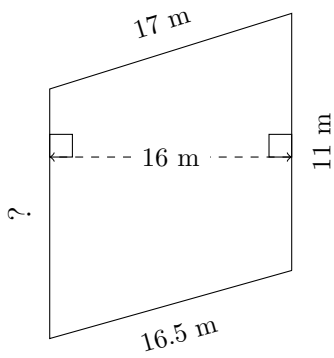


$P = 57.4 \text{ in}$
 $A = 142.08 \text{ in}^2$

Trapezium Measurements (E)

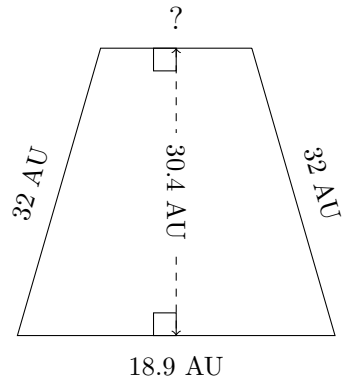
Calculate the missing measurements for each trapezium.

1.



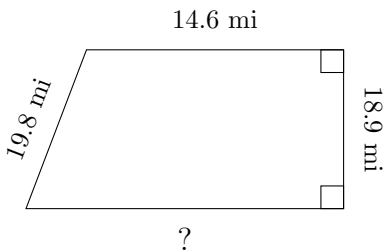
$P = 57.4 \text{ m}$
 $A = ?$

2.



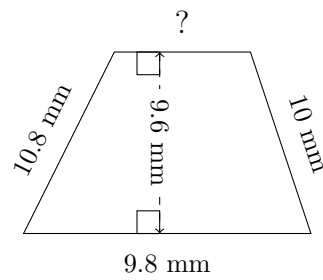
$P = 91.9 \text{ AU}$
 $A = ?$

3.



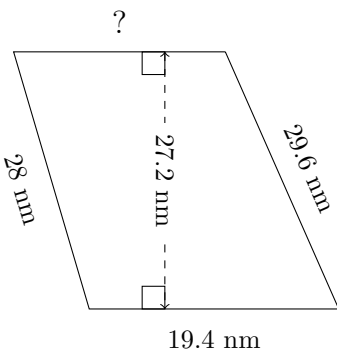
$P = 73.5 \text{ mi}$
 $A = ?$

4.



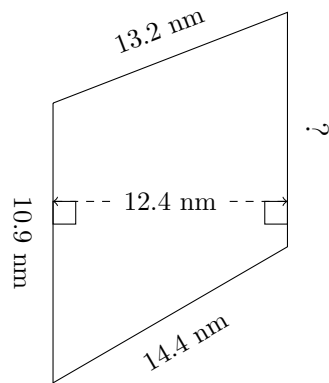
$P = 34.2 \text{ mm}$
 $A = ?$

5.



$P = 93.8 \text{ nm}$
 $A = ?$

6.

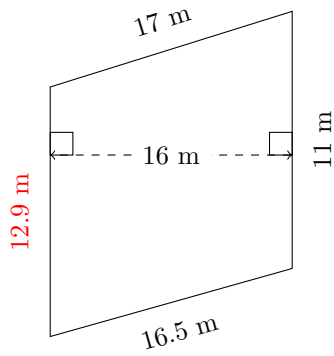


$P = 49.1 \text{ nm}$
 $A = ?$

Trapezium Measurements (E) Answers

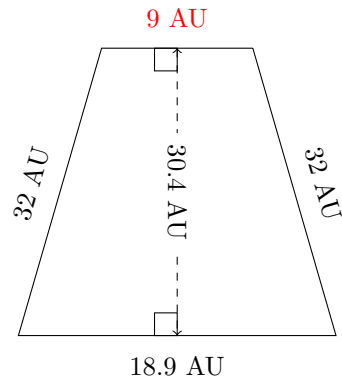
Calculate the missing measurements for each trapezium.

1.



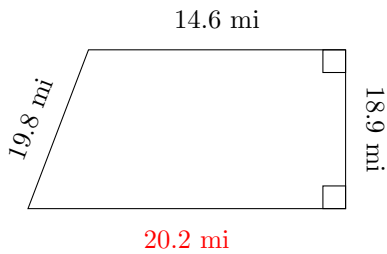
$P = 57.4 \text{ m}$
 $A = 191.2 \text{ m}^2$

2.



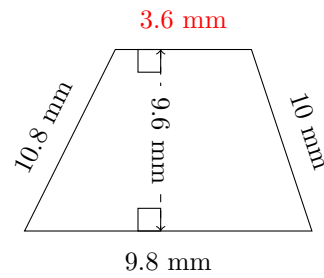
$P = 91.9 \text{ AU}$
 $A = 424.08 \text{ AU}^2$

3.



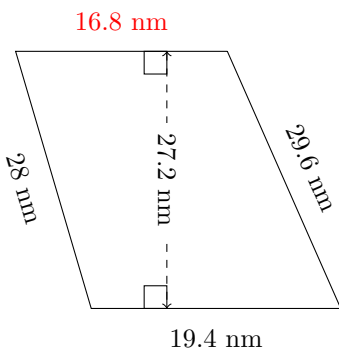
$P = 73.5 \text{ mi}$
 $A = 328.86 \text{ mi}^2$

4.



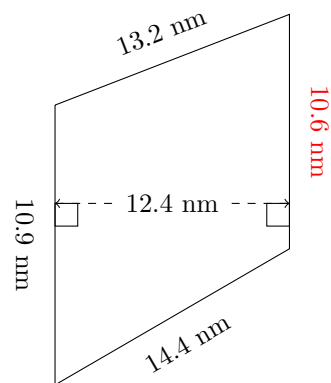
$P = 34.2 \text{ mm}$
 $A = 64.32 \text{ mm}^2$

5.



$P = 93.8 \text{ nm}$
 $A = 492.32 \text{ nm}^2$

6.

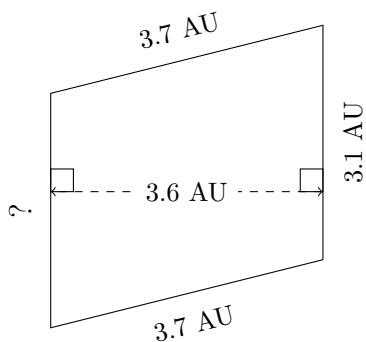


$P = 49.1 \text{ nm}$
 $A = 133.3 \text{ nm}^2$

Trapezium Measurements (F)

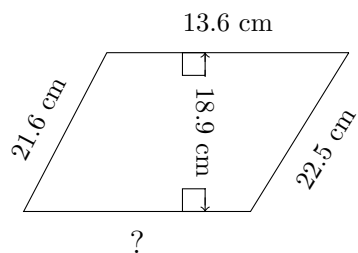
Calculate the missing measurements for each trapezium.

1.



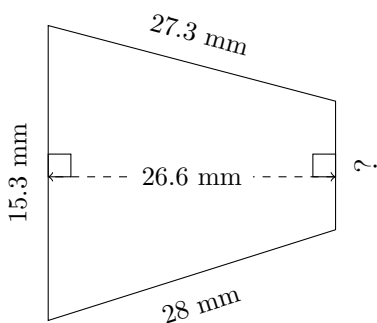
$P = 13.6 \text{ AU}$
 $A = ?$

2.



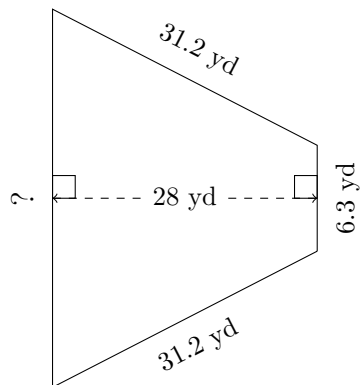
$P = 65.5 \text{ cm}$
 $A = ?$

3.



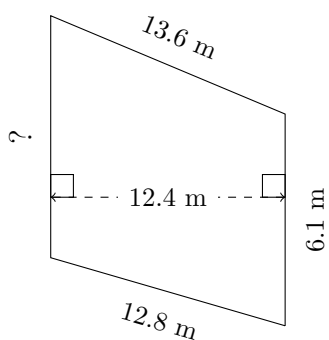
$P = 78.3 \text{ mm}$
 $A = ?$

4.



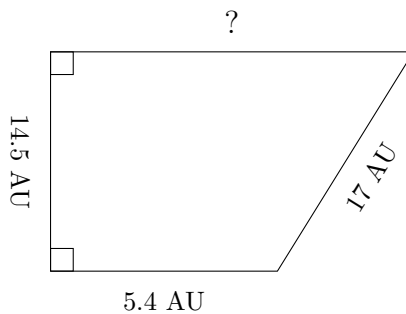
$P = 91.2 \text{ yd}$
 $A = ?$

5.



$P = 38.1 \text{ m}$
 $A = ?$

6.

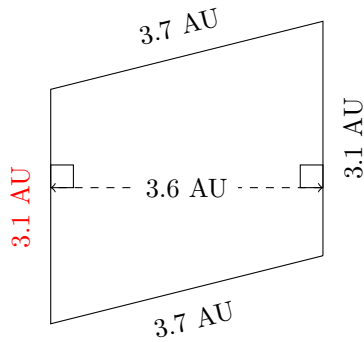


$P = 51.3 \text{ AU}$
 $A = ?$

Trapezium Measurements (F) Answers

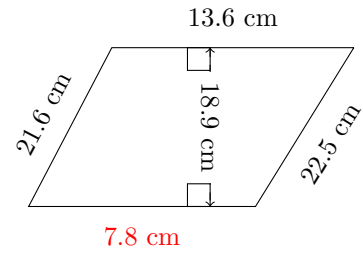
Calculate the missing measurements for each trapezium.

1.



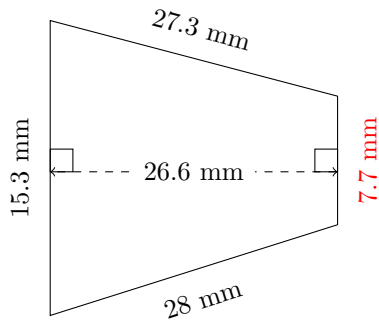
$P = 13.6 \text{ AU}$
 $A = 11.16 \text{ AU}^2$

2.



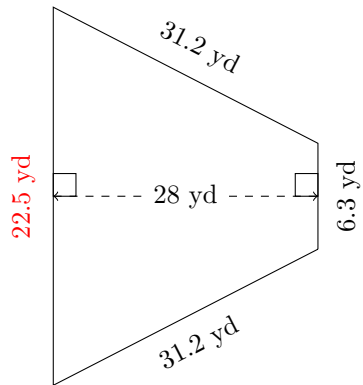
$P = 65.5 \text{ cm}$
 $A = 202.23 \text{ cm}^2$

3.



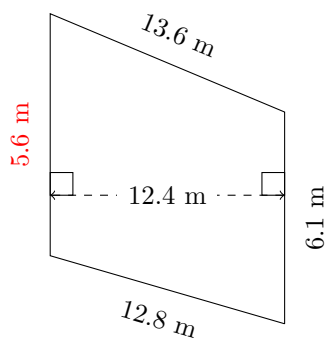
$P = 78.3 \text{ mm}$
 $A = 305.9 \text{ mm}^2$

4.



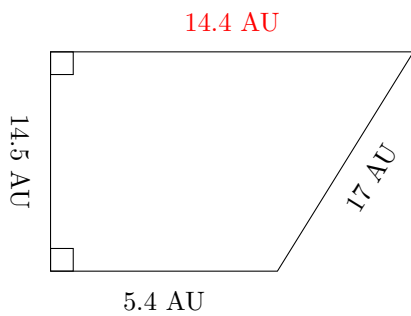
$P = 91.2 \text{ yd}$
 $A = 403.2 \text{ yd}^2$

5.



$P = 38.1 \text{ m}$
 $A = 72.54 \text{ m}^2$

6.

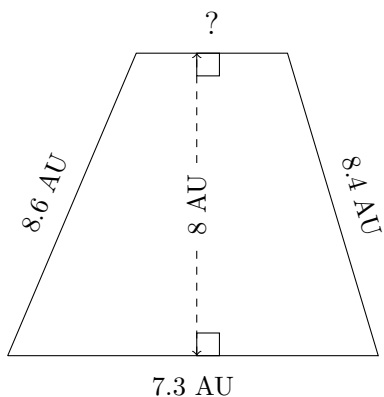


$P = 51.3 \text{ AU}$
 $A = 143.55 \text{ AU}^2$

Trapezium Measurements (G)

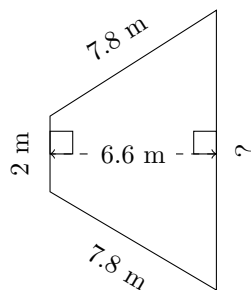
Calculate the missing measurements for each trapezium.

1.



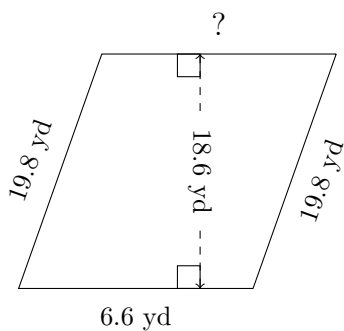
$P = 27.1 \text{ AU}$
 $A = ?$

2.



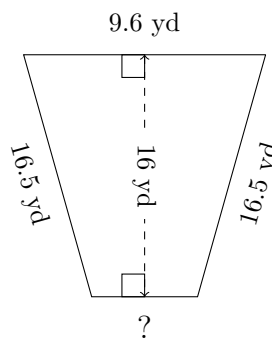
$P = 25.1 \text{ m}$
 $A = ?$

3.



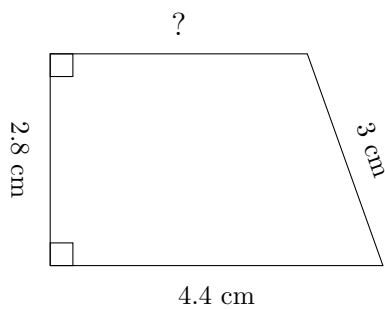
$P = 55.8 \text{ yd}$
 $A = ?$

4.



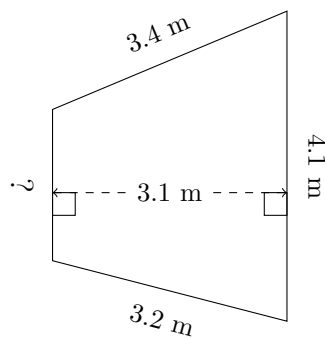
$P = 46.8 \text{ yd}$
 $A = ?$

5.



$P = 13.6 \text{ cm}$
 $A = ?$

6.

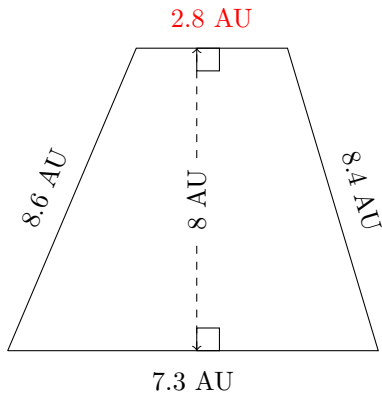


$P = 12.7 \text{ m}$
 $A = ?$

Trapezium Measurements (G) Answers

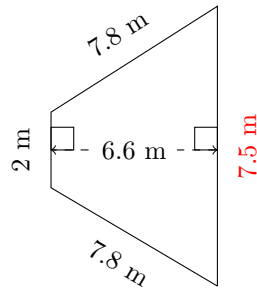
Calculate the missing measurements for each trapezium.

1.



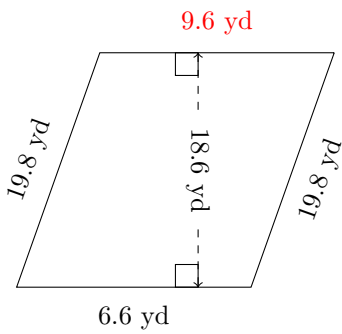
$P = 27.1 \text{ AU}$
 $A = 40.4 \text{ AU}^2$

2.



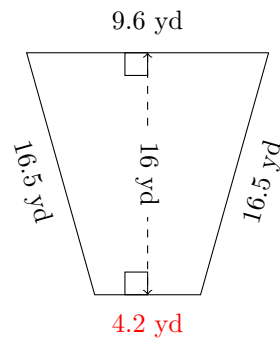
$P = 25.1 \text{ m}$
 $A = 31.35 \text{ m}^2$

3.



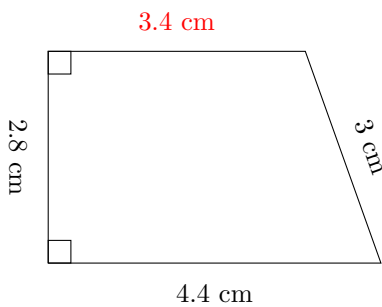
$P = 55.8 \text{ yd}$
 $A = 150.66 \text{ yd}^2$

4.



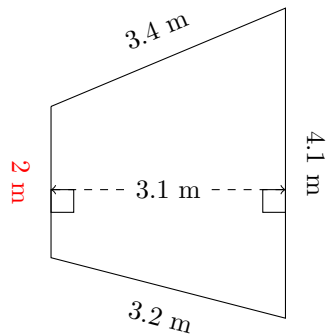
$P = 46.8 \text{ yd}$
 $A = 110.4 \text{ yd}^2$

5.



$P = 13.6 \text{ cm}$
 $A = 10.92 \text{ cm}^2$

6.

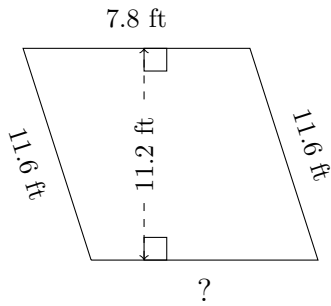


$P = 12.7 \text{ m}$
 $A = 9.455 \text{ m}^2$

Trapezium Measurements (H)

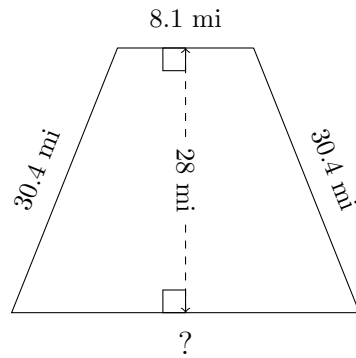
Calculate the missing measurements for each trapezium.

1.



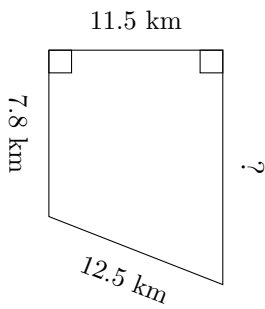
$P = 40.9 \text{ ft}$
 $A = ?$

2.



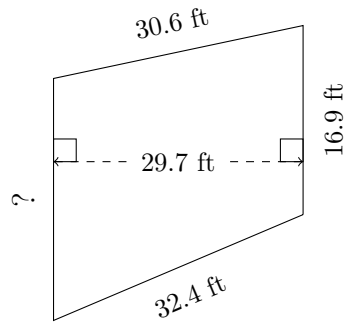
$P = 89.6 \text{ mi}$
 $A = ?$

3.



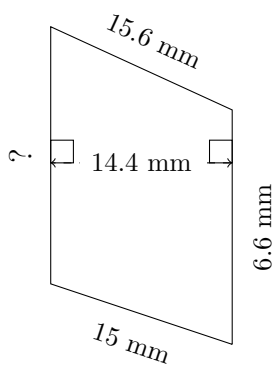
$P = 38.1 \text{ km}$
 $A = ?$

4.



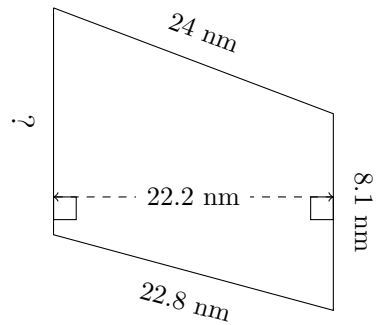
$P = 99.9 \text{ ft}$
 $A = ?$

5.



$P = 48.6 \text{ mm}$
 $A = ?$

6.

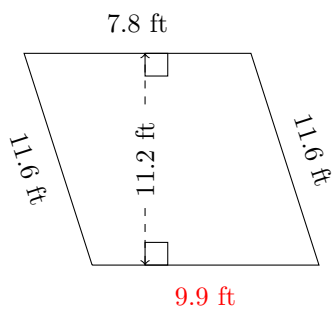


$P = 60.4 \text{ nm}$
 $A = ?$

Trapezium Measurements (H) Answers

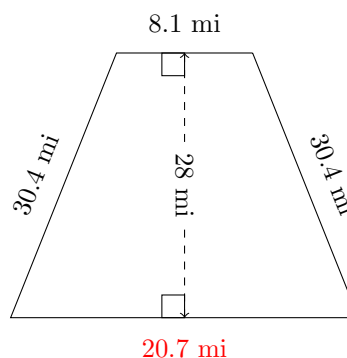
Calculate the missing measurements for each trapezium.

1.



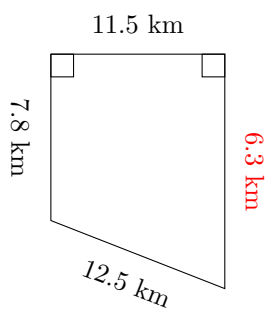
$P = 40.9 \text{ ft}$
 $A = 99.12 \text{ ft}^2$

2.



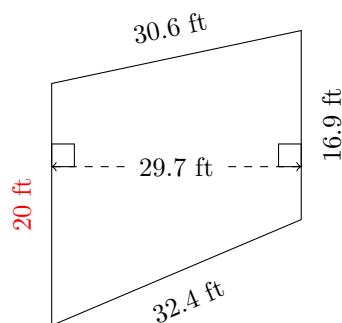
$P = 89.6 \text{ mi}$
 $A = 403.2 \text{ mi}^2$

3.



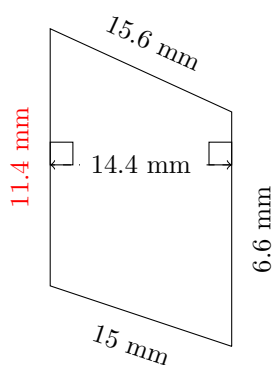
$P = 38.1 \text{ km}$
 $A = 81.075 \text{ km}^2$

4.



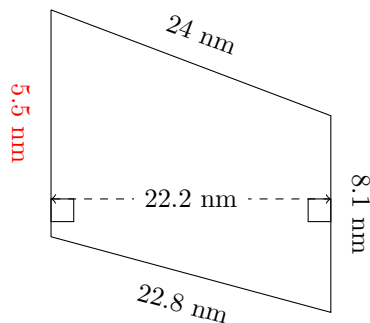
$P = 99.9 \text{ ft}$
 $A = 547.965 \text{ ft}^2$

5.



$P = 48.6 \text{ mm}$
 $A = 129.6 \text{ mm}^2$

6.

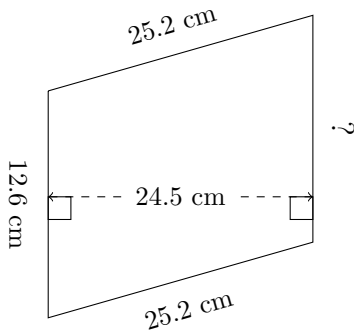


$P = 60.4 \text{ nm}$
 $A = 150.96 \text{ nm}^2$

Trapezium Measurements (I)

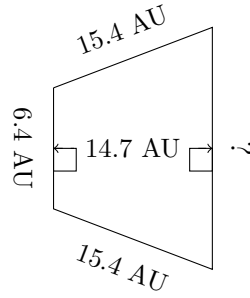
Calculate the missing measurements for each trapezium.

1.



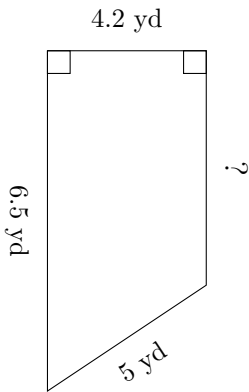
$P = 80.4 \text{ cm}$
 $A = ?$

2.



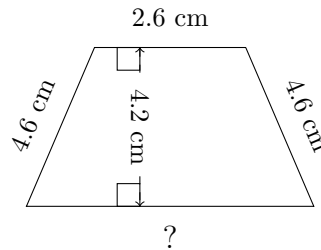
$P = 50 \text{ AU}$
 $A = ?$

3.



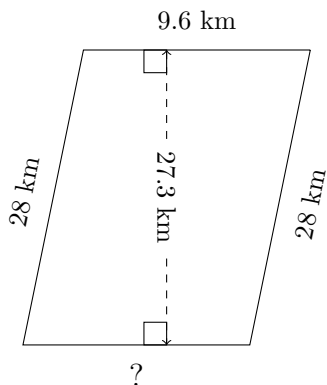
$P = 21.3 \text{ yd}$
 $A = ?$

4.



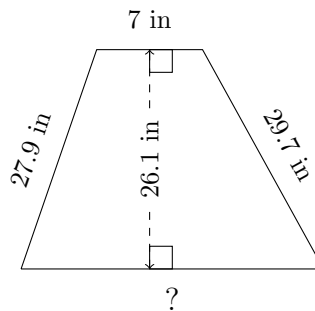
$P = 17.9 \text{ cm}$
 $A = ?$

5.



$P = 75.2 \text{ km}$
 $A = ?$

6.

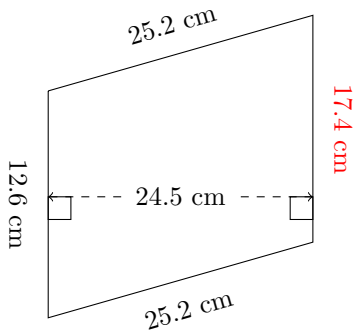


$P = 87 \text{ in}$
 $A = ?$

Trapezium Measurements (I) Answers

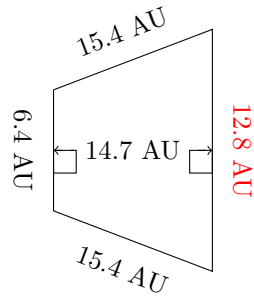
Calculate the missing measurements for each trapezium.

1.



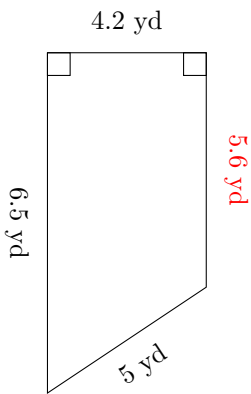
$P = 80.4 \text{ cm}$
 $A = 367.5 \text{ cm}^2$

2.



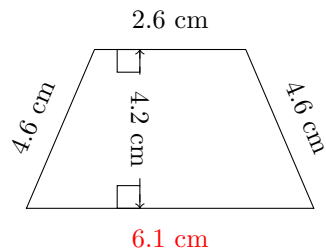
$P = 50 \text{ AU}$
 $A = 141.12 \text{ AU}^2$

3.



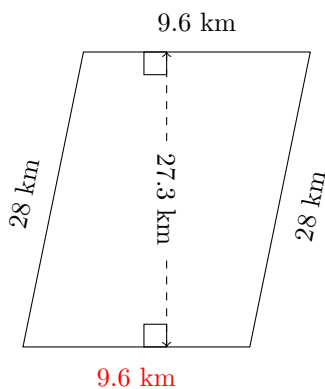
$P = 21.3 \text{ yd}$
 $A = 25.41 \text{ yd}^2$

4.



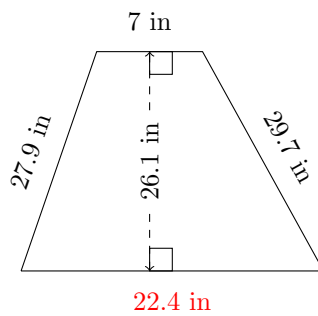
$P = 17.9 \text{ cm}$
 $A = 18.27 \text{ cm}^2$

5.



$P = 75.2 \text{ km}$
 $A = 262.08 \text{ km}^2$

6.

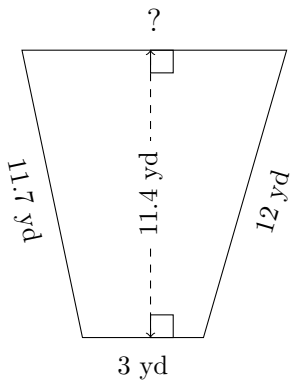


$P = 87 \text{ in}$
 $A = 383.67 \text{ in}^2$

Trapezium Measurements (J)

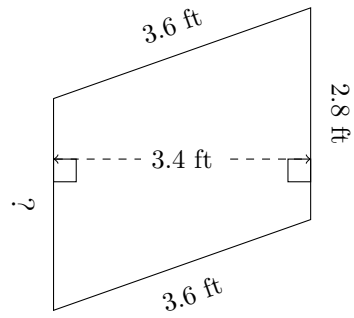
Calculate the missing measurements for each trapezium.

1.



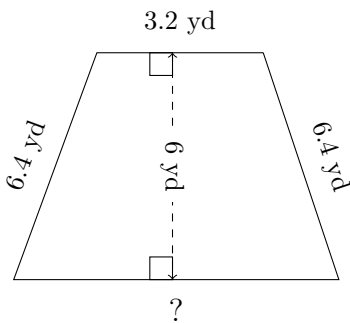
$P = 33.6 \text{ yd}$
 $A = ?$

2.



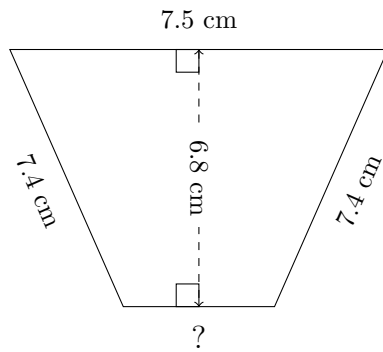
$P = 12.8 \text{ ft}$
 $A = ?$

3.



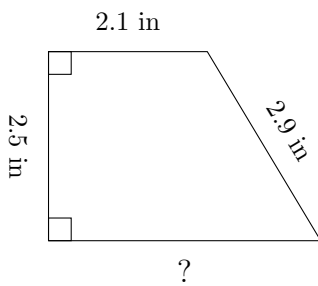
$P = 22.5 \text{ yd}$
 $A = ?$

4.



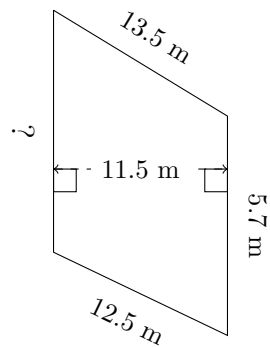
$P = 25.3 \text{ cm}$
 $A = ?$

5.



$P = 11.1 \text{ in}$
 $A = ?$

6.

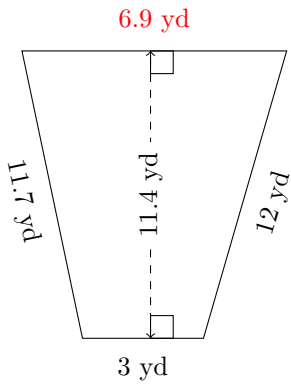


$P = 39.3 \text{ m}$
 $A = ?$

Trapezium Measurements (J) Answers

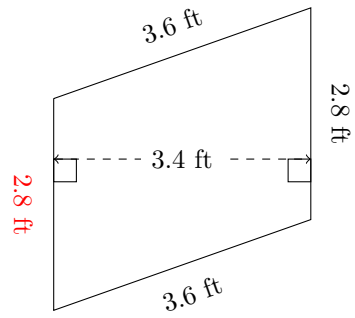
Calculate the missing measurements for each trapezium.

1.



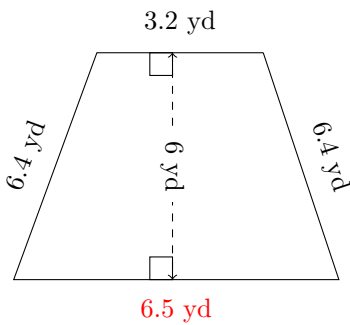
$P = 33.6 \text{ yd}$
 $A = 56.43 \text{ yd}^2$

2.



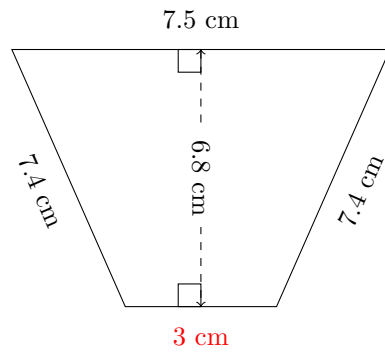
$P = 12.8 \text{ ft}$
 $A = 9.52 \text{ ft}^2$

3.



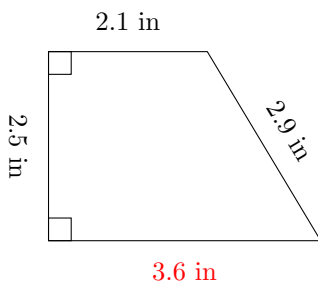
$P = 22.5 \text{ yd}$
 $A = 29.1 \text{ yd}^2$

4.



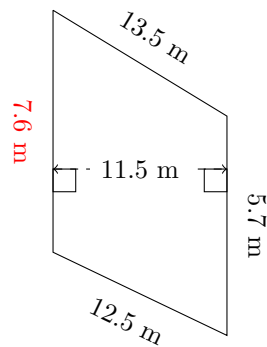
$P = 25.3 \text{ cm}$
 $A = 35.7 \text{ cm}^2$

5.



$P = 11.1 \text{ in}$
 $A = 7.125 \text{ in}^2$

6.



$P = 39.3 \text{ m}$
 $A = 76.475 \text{ m}^2$