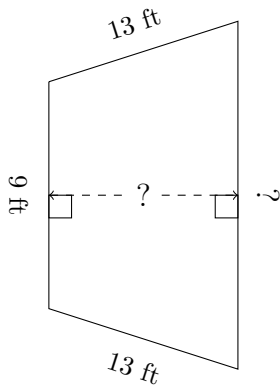


Trapezium Measurements (A)

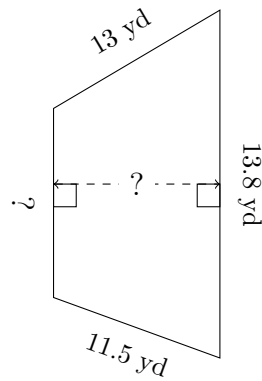
Calculate the missing measurements for each trapezium.

1.



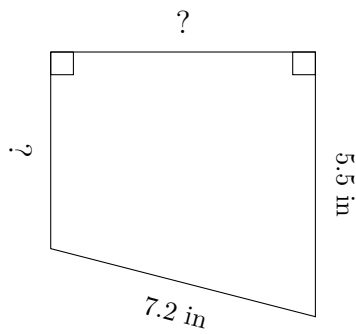
$P = 48.8 \text{ ft}$
 $A = 142.5 \text{ ft}^2$

2.



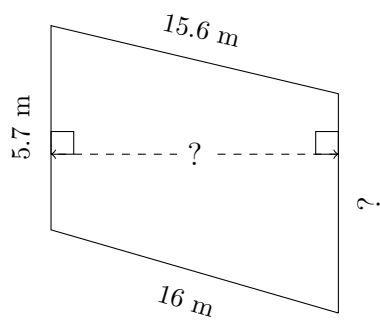
$P = 46.8 \text{ yd}$
 $A = 122.65 \text{ yd}^2$

3.



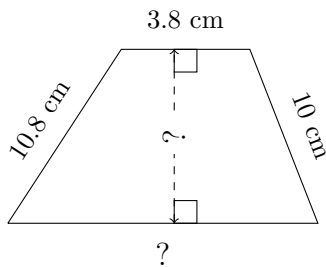
$P = 22.9 \text{ in}$
 $A = 30.45 \text{ in}^2$

4.



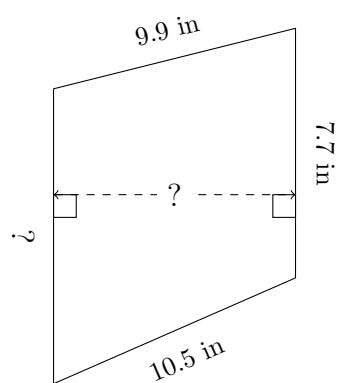
$P = 42.6 \text{ m}$
 $A = 83.6 \text{ m}^2$

5.



$P = 34.4 \text{ cm}$
 $A = 62.56 \text{ cm}^2$

6.

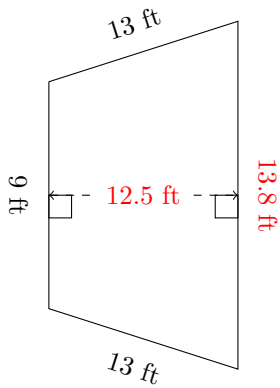


$P = 37 \text{ in}$
 $A = 79.68 \text{ in}^2$

Trapezium Measurements (A) Answers

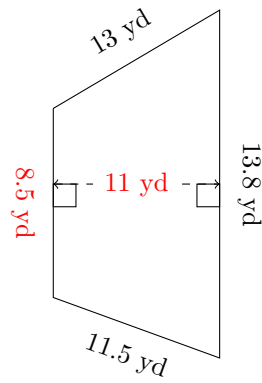
Calculate the missing measurements for each trapezium.

1.



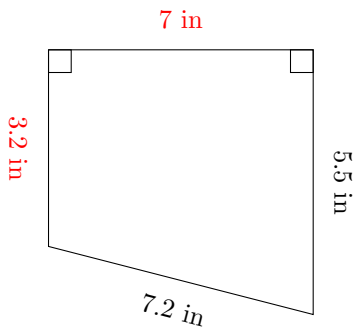
$P = 48.8 \text{ ft}$
 $A = 142.5 \text{ ft}^2$

2.



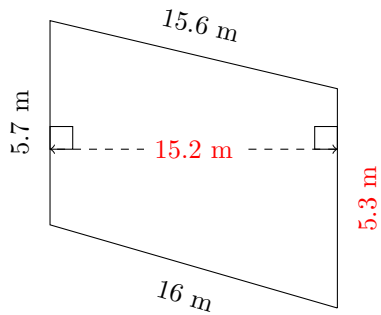
$P = 46.8 \text{ yd}$
 $A = 122.65 \text{ yd}^2$

3.



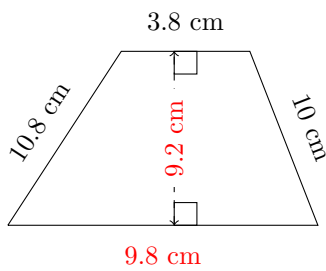
$P = 22.9 \text{ in}$
 $A = 30.45 \text{ in}^2$

4.



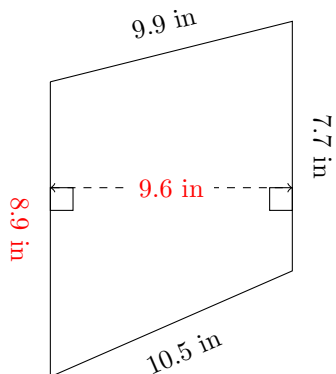
$P = 42.6 \text{ m}$
 $A = 83.6 \text{ m}^2$

5.



$P = 34.4 \text{ cm}$
 $A = 62.56 \text{ cm}^2$

6.



$P = 37 \text{ in}$
 $A = 79.68 \text{ in}^2$