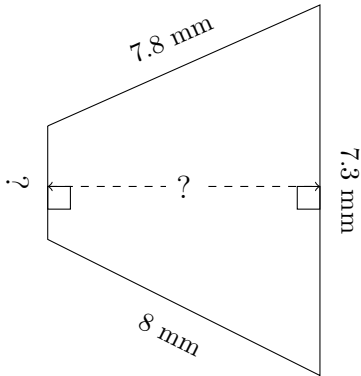


Trapezium Measurements (C)

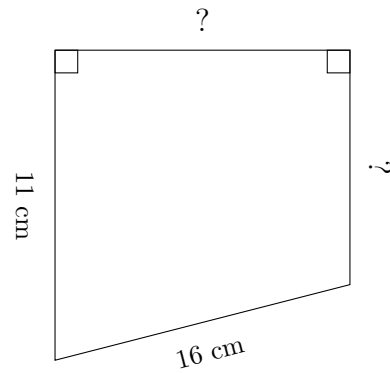
Calculate the missing measurements for each trapezium.

1.



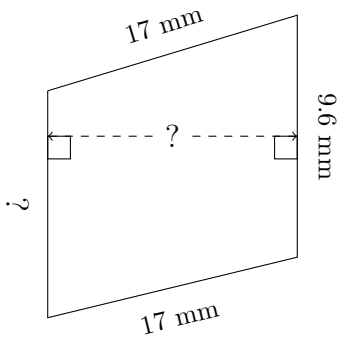
$P = 25.3 \text{ mm}$
 $A = 34.2 \text{ mm}^2$

2.



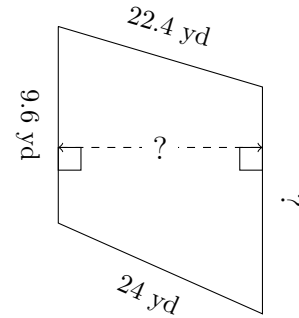
$P = 51.1 \text{ cm}$
 $A = 152.1 \text{ cm}^2$

3.



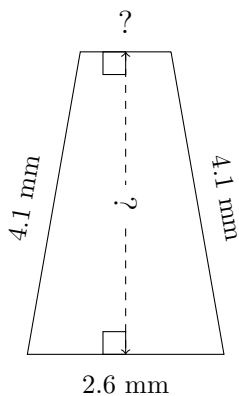
$P = 56.2 \text{ mm}$
 $A = 183.15 \text{ mm}^2$

4.



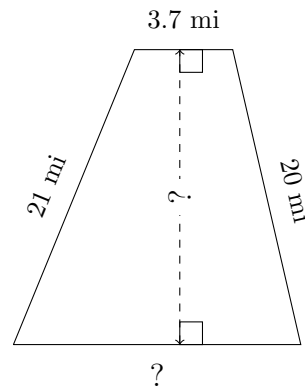
$P = 64.6 \text{ yd}$
 $A = 196.56 \text{ yd}^2$

5.



$P = 12 \text{ mm}$
 $A = 7.6 \text{ mm}^2$

6.

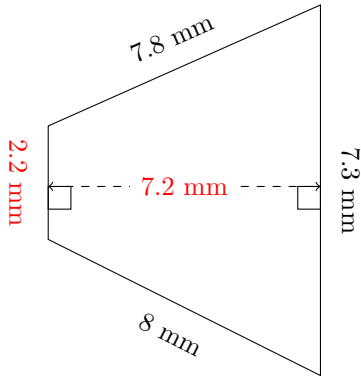


$P = 54.9 \text{ mi}$
 $A = 135.525 \text{ mi}^2$

Trapezium Measurements (C) Answers

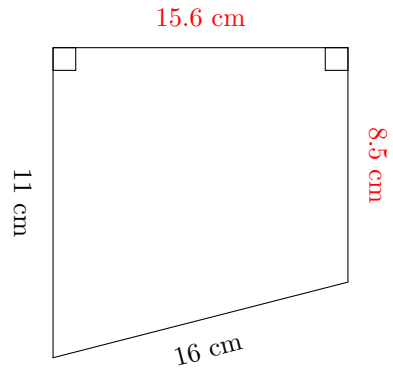
Calculate the missing measurements for each trapezium.

1.



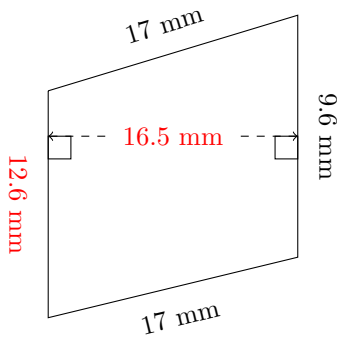
$P = 25.3 \text{ mm}$
 $A = 34.2 \text{ mm}^2$

2.



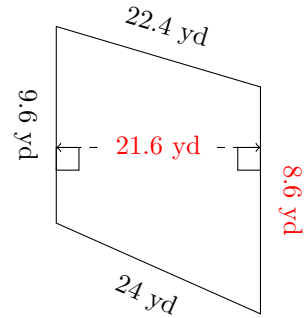
$P = 51.1 \text{ cm}$
 $A = 152.1 \text{ cm}^2$

3.



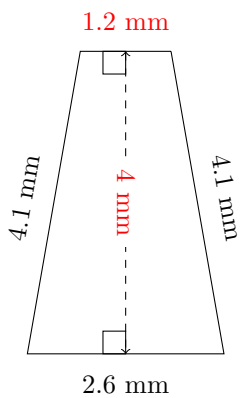
$P = 56.2 \text{ mm}$
 $A = 183.15 \text{ mm}^2$

4.



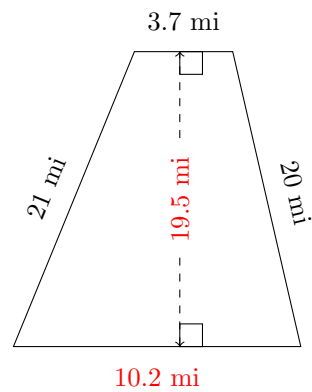
$P = 64.6 \text{ yd}$
 $A = 196.56 \text{ yd}^2$

5.



$P = 12 \text{ mm}$
 $A = 7.6 \text{ mm}^2$

6.



$P = 54.9 \text{ mi}$
 $A = 135.525 \text{ mi}^2$