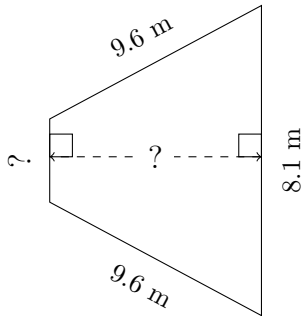


Trapezium Measurements (D)

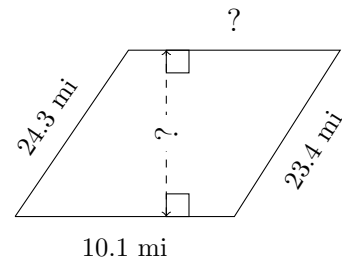
Calculate the missing measurements for each trapezium.

1.



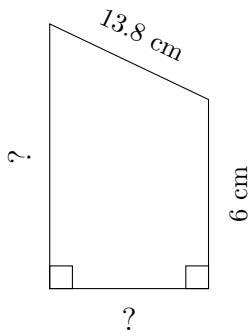
$P = 29.6 \text{ m}$
 $A = 43.68 \text{ m}^2$

2.



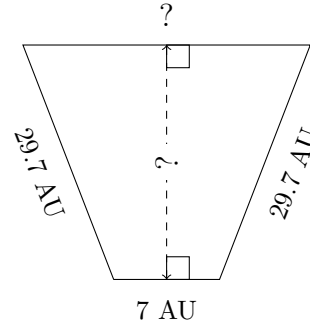
$P = 64.6 \text{ mi}$
 $A = 167.31 \text{ mi}^2$

3.



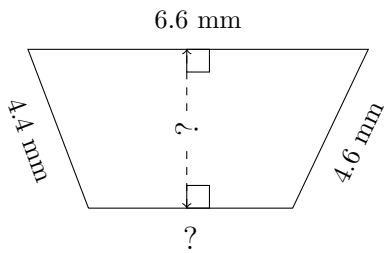
$P = 44.9 \text{ cm}$
 $A = 116.55 \text{ cm}^2$

4.



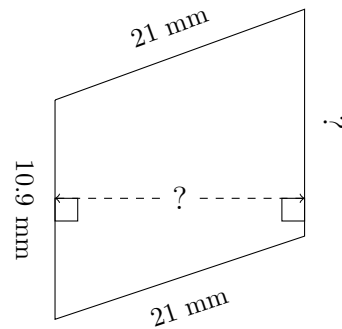
$P = 85.4 \text{ AU}$
 $A = 362.7 \text{ AU}^2$

5.



$P = 19.7 \text{ mm}$
 $A = 22.47 \text{ mm}^2$

6.

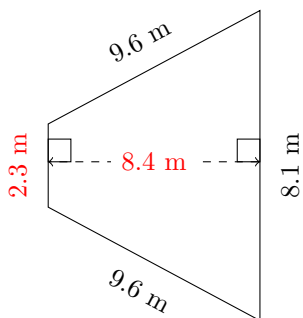


$P = 68.4 \text{ mm}$
 $A = 261.36 \text{ mm}^2$

Trapezium Measurements (D) Answers

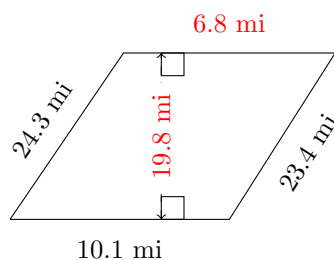
Calculate the missing measurements for each trapezium.

1.



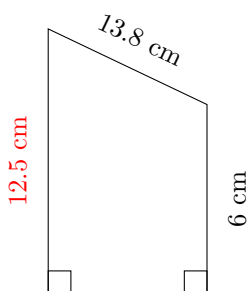
$P = 29.6 \text{ m}$
 $A = 43.68 \text{ m}^2$

2.



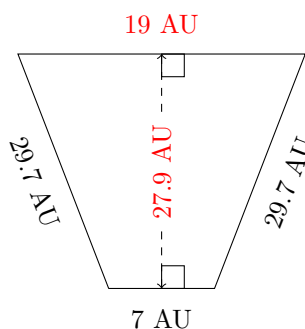
$P = 64.6 \text{ mi}$
 $A = 167.31 \text{ mi}^2$

3.



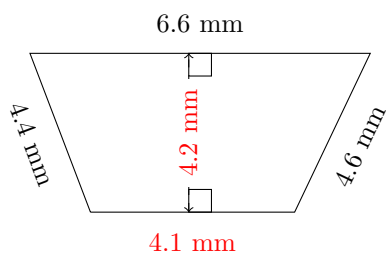
$P = 44.9 \text{ cm}$
 $A = 116.55 \text{ cm}^2$

4.



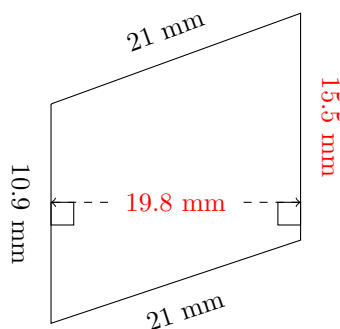
$P = 85.4 \text{ AU}$
 $A = 362.7 \text{ AU}^2$

5.



$P = 19.7 \text{ mm}$
 $A = 22.47 \text{ mm}^2$

6.



$P = 68.4 \text{ mm}$
 $A = 261.36 \text{ mm}^2$