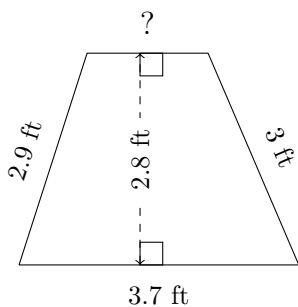


Trapezium Measurements (B)

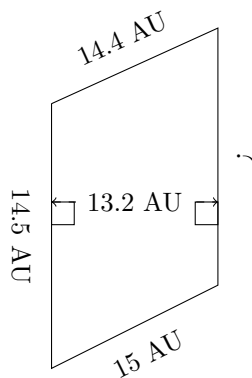
Calculate the missing measurements for each trapezium.

1.



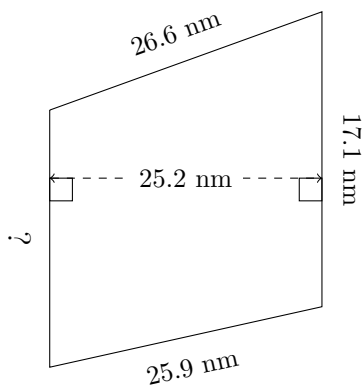
$P = ?$
 $A = 7.42 \text{ ft}^2$

2.



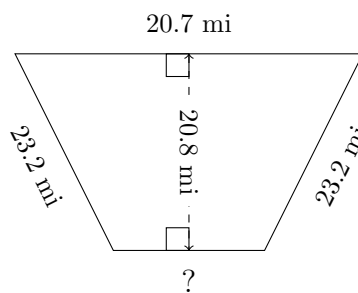
$P = ?$
 $A = 194.04 \text{ AU}^2$

3.



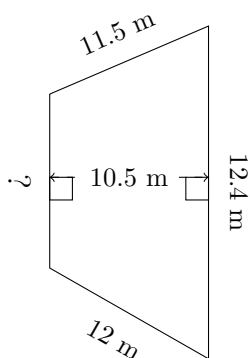
$P = ?$
 $A = 447.3 \text{ nm}^2$

4.



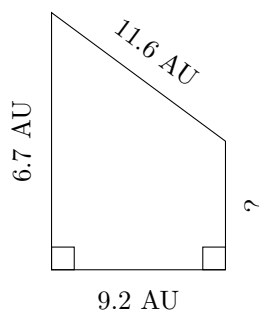
$P = ?$
 $A = 308.88 \text{ mi}^2$

5.



$P = ?$
 $A = 102.375 \text{ m}^2$

6.

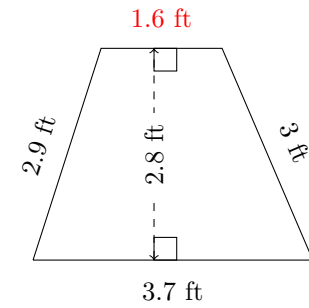


$P = ?$
 $A = 46.92 \text{ AU}^2$

Trapezium Measurements (B) Answers

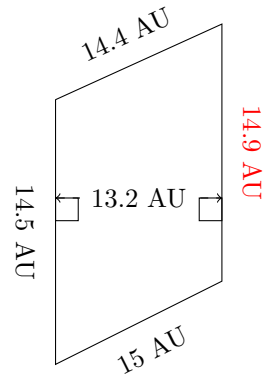
Calculate the missing measurements for each trapezium.

1.



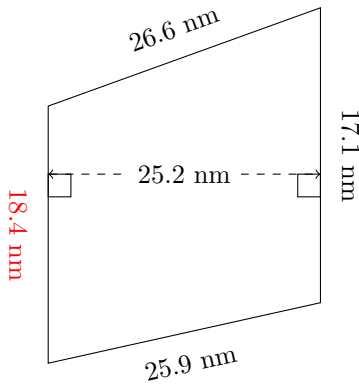
$P = 11.2 \text{ ft}$
 $A = 7.42 \text{ ft}^2$

2.



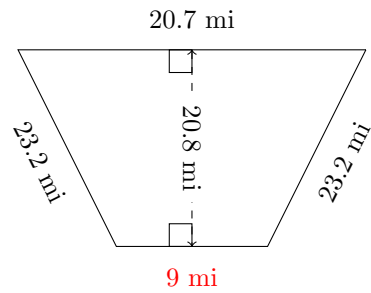
$P = 58.8 \text{ AU}$
 $A = 194.04 \text{ AU}^2$

3.



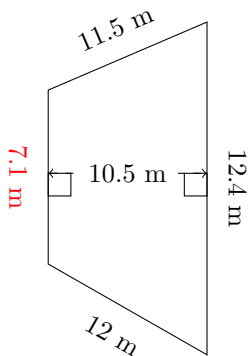
$P = 88 \text{ nm}$
 $A = 447.3 \text{ nm}^2$

4.



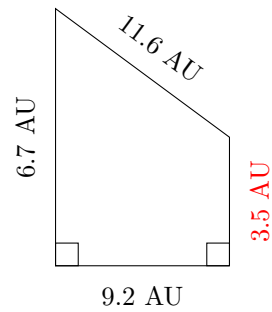
$P = 76.1 \text{ mi}$
 $A = 308.88 \text{ mi}^2$

5.



$P = 43 \text{ m}$
 $A = 102.375 \text{ m}^2$

6.



$P = 31 \text{ AU}$
 $A = 46.92 \text{ AU}^2$